



The sustainable alternative to Ipé



Hewn's Kebony Collection is an excellent fit for residential and commercial siding applications. Using Kebony Clear Cladding as a base, our product is designed to be an ethical alternative to tropical hardwood siding. Kebony produces all of their products from FSC®-certified woods, aiming to have a substantially lower carbon footprint than their tropical hardwoods counterparts. This non-toxic proprietary process also darkens the wood, replicating the look of tropical hardwood throughout the entire board. Hewn's Kebony Collection is sold with multiple milling profile options, and can be customized to fit the needs of your specific project.

Kebony Collection Colors



Andean



Antiguan



Balinese



Brazilian



Chilean



Costa Rican



Javanese



Krakatoan



Patagonian



Peruvian

Shou Sugi Ban Collection Colors



Daku Ban

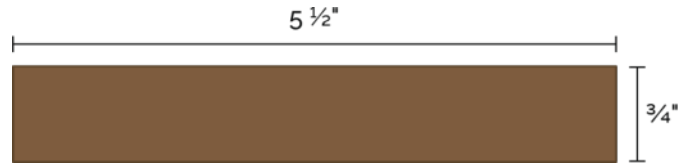


Heavy Char Exterior

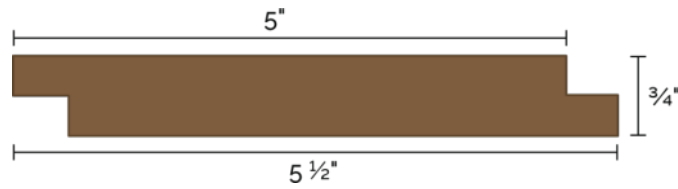


Heavy Char Interior

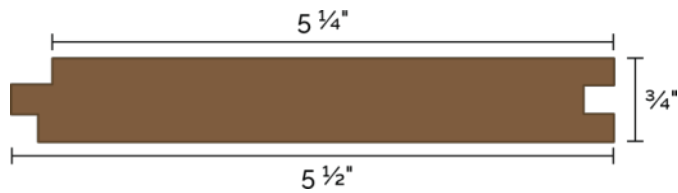
Standard Milling Profiles



3/4" x 5 1/2"
8', 10', 12', 14', 16'



5"
Tight, 1/4", 3/8", 1/2"
3/4" x 5 1/2"
8', 10', 12', 14', 16'

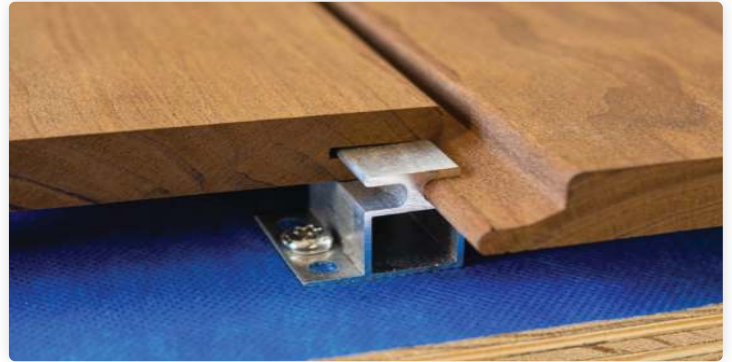


5 1/4"
Tight, 1/16", 1/8", 3/16", 1/4"
3/4" x 5 1/2"
8', 10', 12', 14', 16'

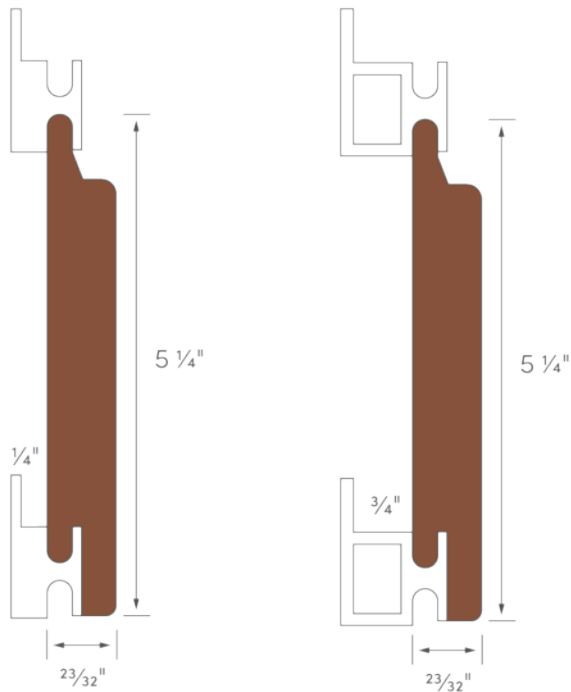


Passive Rainscreen System

The Passive Rainscreen System (PRS) goes beyond a traditional rainscreen to deliver maximum performance and aesthetics. A combination of marine grade aluminum clips and perfectly matched Kebony Clear cladding, the PRS replaces common wood furring strips to create passive air flow between the cladding and sheathing. Its unique cladding profile creates a gap while providing increased protection from the elements, leading to a longer-lasting project all while hiding the fastener from view.



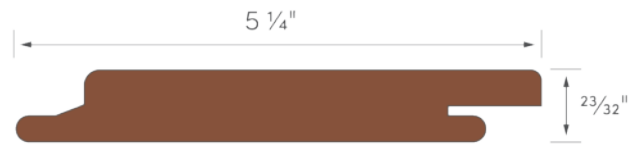
Passive Rain System Clips



Rainscreen Gap: 1/4"

Rainscreen Gap: 3/4"

Rainscreen Profile



23/32" x 5 1/4"
 4 9/16" / Gap: 1/4"
 10', 12', 14', 16'

Save Our Rainforests

Tropical hardwoods are often seen as the premiere choice for exterior applications, due to their natural properties that lead to dimensional stability and long lifespans. Tropical hardwood, such as ipé or mahogany, is known for its resistance to mildew and rot. The aesthetic characteristics of tropical hardwood also offer an alternative to the color tones and texture of American hardwoods. Tropical hardwood is highly sought after due to these factors, though it comes at both a monetary cost to the consumer, and an ethical cost to the planet due to increasing deforestation in tropical regions with vulnerable ecosystems. This is where Kebony provides a solution.

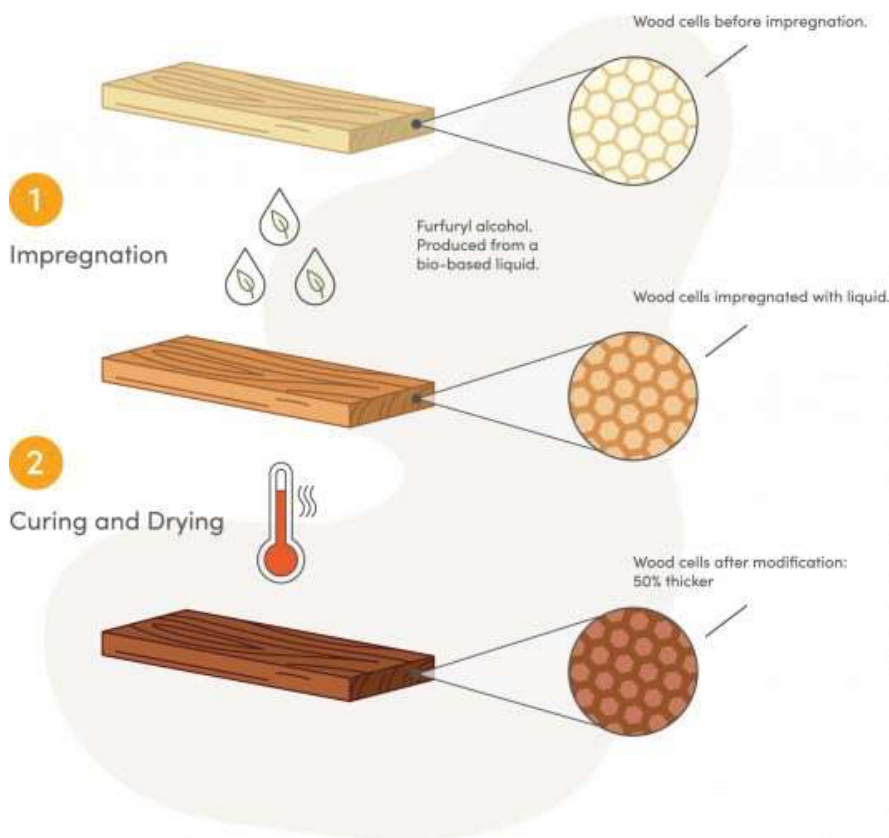


Image Courtesy of Kebony.com

Kebony began developing an alternative to tropical hardwoods at the end of the last century. By 2009, the process was fully proven and a manufacturing facility was constructed in Norway. In recent years, the company has expanded towards a greater worldwide presence, and the material has been featured on several notable projects that are pushing the boundaries of sustainability and eco-conscious construction.

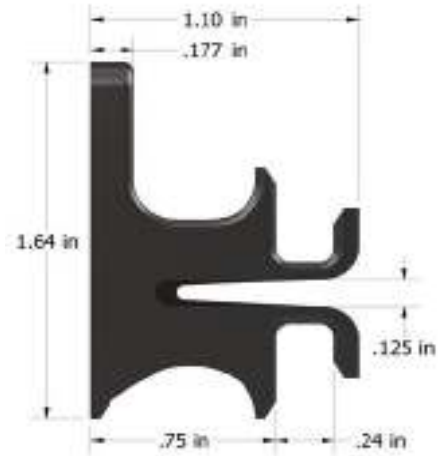
Kebony's proprietary process involves an impregnation of the wood with furfuryl alcohol throughout the entirety of the material, not just the surface. After the material is heated and cured, the now-thickened cell walls of the wood lock in the resulting polymers, creating a modified wood with a high level of hardness, dimensional stability, and safety.

This process also darkens the wood, creating the signature tropical hardwood look and feel that Kebony has become famous for. Kebony's products also age naturally like ipé and other Brazilian hardwoods, adding to the ideal nature of using Kebony as a near 1:1 replacement for tropical hardwood applications.

All Kebony products are produced from FSC®-certified woods, and have a substantially lower carbon footprint than most tropical hardwoods. This emphasis on sustainability highlights the forward-thinking nature of choosing a solution such as Kebony instead of outdated tropical hardwood counterparts. Furthermore, the process by which Kebony is produced is non-toxic, allowing Kebony to be handled as ordinary wood, and recycled or naturally repurposed at its end of life.

Nova Rainscreen System

Hewn has partnered with Nova USA Wood to pair their industry-leading Rainscreen Siding ecosystem with Hewn's exterior siding products, including our Class A Fire Rated siding. Our highly skilled sales associates work with you throughout the entire process, ensuring that the product you order is customized to your individual needs, and is appropriate for your intended application.



Designed for Real Wood

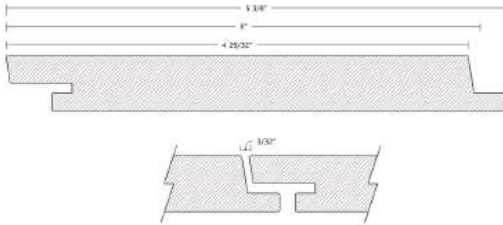
Real wood siding is subject to expansion and contraction in the width of the boards as a result of seasonal changes in humidity in any given individual location. Nova's clips are stiff enough to hold the gap perfectly during installation and yet it is flexible or resilient enough to allow the wood swell up to 1/8" in width.

Rainscreen applications are a beautiful way to clad an exterior wall, making it less likely to suffer moisture problems that lead to rot and warping. And Nova's unique clip design allows for a rainscreen system adapted to the wood's natural needs.

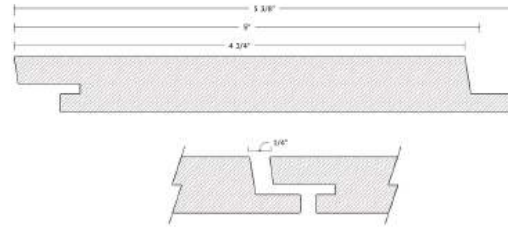


Nova Rainscreen 1x6 Kebony

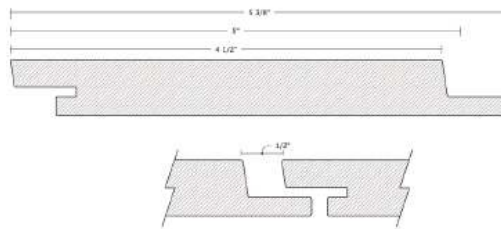
Kebony 1x6 Nova Rainscreen 3/32" Gap



Kebony 1x6 Nova Rainscreen 1/4" Gap

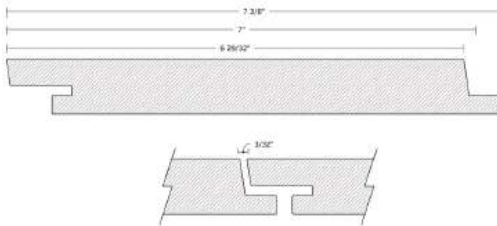


Accoya & Kebony 1x6 Nova Rainscreen 1/2" Gap

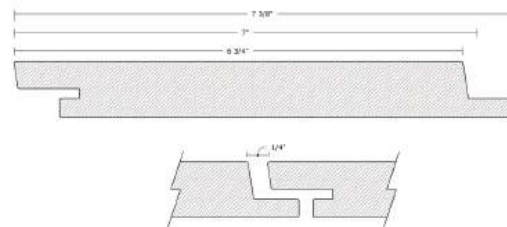


Nova Rainscreen 1x8 Kebony

Kebony 1x8 Nova Rainscreen 3/32" Gap



Kebony 1x8 Nova Rainscreen 1/4" Gap



Kebony 1x8 Nova Rainscreen 1/2" Gap

