



Hewn's Exterior Cedar Collection is created using our unique color process, and is sealed with either a Cabot exterior oil finish, or Renner water-based finish for maximum protection. Our material is sold as solid boards with multiple milling and width options, and in a variety of catalog colors and texture options.

In addition to our standard options, Hewn's highly-skilled team of color and finish specialists are able to craft custom creative and multidimensional color finishes, which allow designers and architects to realize their unique project palettes. If you can dream it, Hewn can create it.

## Heritage Collection

Hewn's Heritage Collection is designed to replicate the look and texture of traditional American barnwood, featuring colors and finishes that are appropriate for both rustic and modern applications. All of our Heritage offerings feature raised wood grain, highlighting the natural uniqueness of the sustainably-sourced material that we utilize in our products.



Aloha



Barn Red



Corral



Desert Sand



Driftwood



Farm Fleet



Graphite



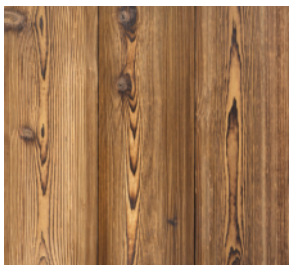
Fifty Percent Graphite



Hampton White



Mushroom



Natural



Noir



Peppercorn



Rustic Natural



Rustic Reclaimed



Saddle



Fifty Percent Saddle



Stone Grey



Titanium White



Trillium White



Weathered Grey



White Wash

### Ohana Collection

The Ohana Collection is inspired by the sights and color palettes of Hawaii. These colors are designed to be complementary to each other, and are ideal for use as an accent element, or as your primary color choice.



Ākala



Alani

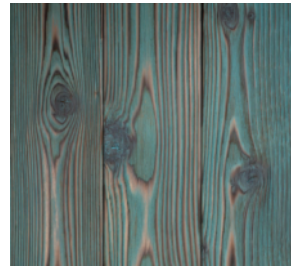


Kāleka

All of these colors feature raised wood grain, adding depth and texture that cannot be created with a standard paint application.



Melemele



Polūkai



Uahi

### Shou Sugi Ban Collection

Shou Sugi Ban is a traditional Japanese technique of charring wood, usually cedar, to increase its durability and resistance to fire, insects, and rot. The process involves carefully burning the surface of the wood to create a unique blackened appearance that is both aesthetically striking and functional.



Daku Ban



Dark Roast



## Trusted for Centuries

Cedar has a long history of being used as a building material for houses, ships, religious structures, and objects of importance, spanning from ancient times to the modern day. The Western Red Cedar that Hewn exclusively uses is sourced from regions in and around the Pacific Northwest, where cedar has long been trusted for its stability against the elements, and its protection against mold and mildew. This proven track-record, combined with Hewn’s unique and proprietary finishes, results in a product that is unmatched and highly sought-after in the industry.

## Specifications

| Material                                                                                                 | Grade                                                                              | Thickness                                     | Lengths                                                                                                                                                                                                                                                                                                                                                                                               |
|----------------------------------------------------------------------------------------------------------|------------------------------------------------------------------------------------|-----------------------------------------------|-------------------------------------------------------------------------------------------------------------------------------------------------------------------------------------------------------------------------------------------------------------------------------------------------------------------------------------------------------------------------------------------------------|
| Western Red Cedar                                                                                        | STK (Select Tight Knot) Inland Red Cedar, Rustic appearance with sound tight knots | 13/16"                                        | 6' to 16'<br>(Odds and Evens)                                                                                                                                                                                                                                                                                                                                                                         |
| Standard Widths                                                                                          | Milling                                                                            | Colors                                        | Textures                                                                                                                                                                                                                                                                                                                                                                                              |
| 1×4 (3 1/2" face)<br>1×6 (5 1/2" face)<br>1×8 (7 1/4" face)<br>1×10 (9 1/4" face)<br>1×12 (11 1/4" face) | Board to Board<br>Tongue & Groove<br>Shiplap<br>Custom                             | Available in Pre-Formulated and Custom Colors | Brushed<br>Rough ..<br>Resawn ..<br>Smooth Light Brushed *<br>Smooth Brushed *<br>Smooth Vertical Brushed *<br>Smooth Heavy Brushed *<br>Vertical Brushed †<br>Double Brushed *<br>Circle Sawn *<br>Shipwreck ""<br><br>* Custom Option<br>† Default on Peppercorn, Desert Sand and Mushroom<br>"" Specific to the Shipwreck Finish<br>.. Available on Cinder, High Desert, Snow Fence and Timberline |



## Custom Options

Hewn’s Exterior Cedar Siding can be customized to fit the individual needs and specifications of your particular project. Our finely skilled craftsmen can modify nearly any part of our in-house process to create a material designed according to your specifications, and our color technicians can match any shade or tone provided to us as part of our custom sampling process.

## The Cedar Advantage

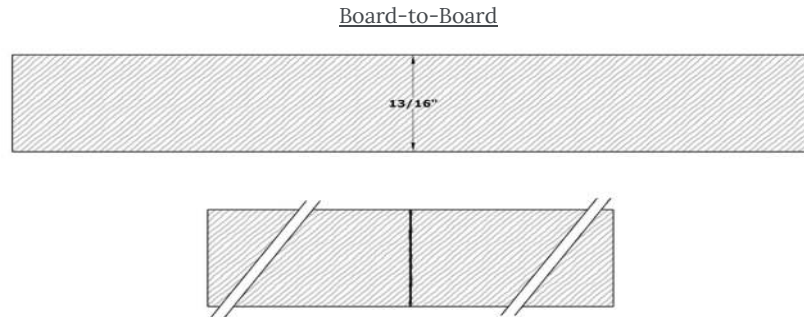
When properly maintained and cared for, Hewn’s Exterior Cedar Siding is designed to last long into the future. As with all solid-wood siding, a minor amount of regular maintenance can greatly extend the lifetime of the product, and proper industry-standard procedure at the time of install can prevent many avoidable issues.



### Standard Milling Profiles

Hewn’s Exterior Cedar Siding is available in a variety of milling profiles, designed to fit the individual needs of your project. Our most common milling profiles, listed on this page, assume our standard thickness of 13/16”.

Our Exterior Cedar Siding is milled to your requested specifications in-house, allowing for the highest level of oversight throughout the entire production process.



### Standard Milling Profile Widths

#### Square Edge

- 1×4 (3½” face)
- 1×6 (5½” face)
- 1×8 (7¼” face)
- 1×10 (9¼” face)
- 1×12 (11¼” face)

#### Tongue & Groove

- 1×4 (3⅞” face)
- 1×6 (5” face)
- 1×8 (6 ⅝” face)
- 1×10 (8 ⅝” face)
- 1×12 (10 ⅝” face)

#### Shiplap

- 1×4 (2¾” face)
- 1×6 (4¾” face)
- 1×8 (6½” face)
- 1×10 (8½” face)
- 1×12 (10½” face)

### T&G Milling Profiles

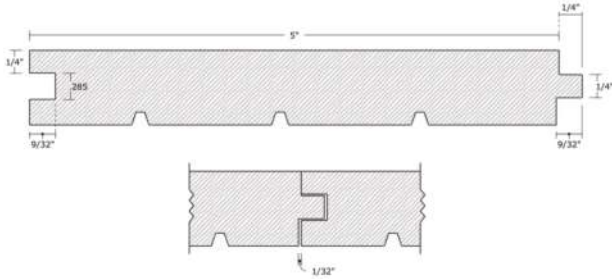
Hewn’s Exterior Cedar Siding is sold in widths of 1×4, 1×6, 1×8, 1×10, and 1×12. T&G 1×4 and 1×6 profiles come standard with a ¼” tongue. T&G 1×8, 1×10, and 1×12 T&G profiles require a ⅜” tongue, instead of a ¼” tongue. Profiles for our most common widths (1×6 and 1×8) are shown below. For more profiles, please refer to our Specification Sheet.

Hewn has the capability to create custom milling knives in-house. For more information on custom milling options, please contact one of our sales representatives.

1x6 T&G Milling Profiles

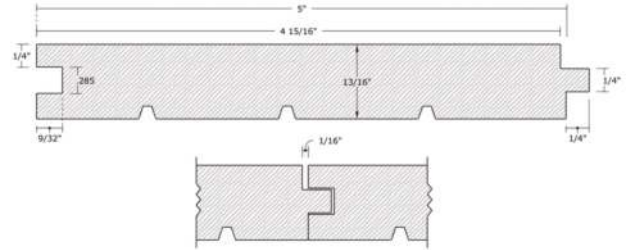
T&G 1x6 Tight

**Cedar**  
1x6 (13/16 x 5.0 Face) T&G Tight 1/4" Tongue



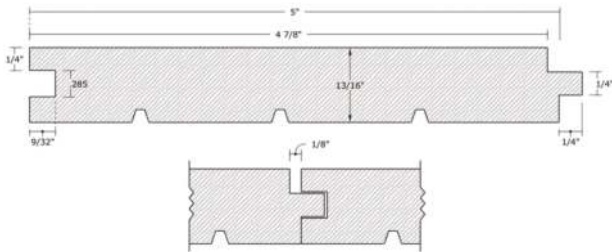
T&G 1x6 1/16" Fineline

**Cedar**  
1x6 (13/16 x 5.0 Face) T&G 1/16" Fineline 1/4" Tongue



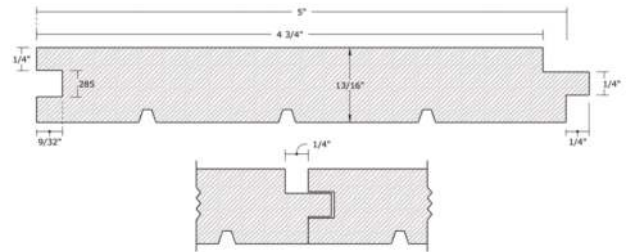
T&G 1x6 1/8" Fineline

**Cedar**  
1x6 (13/16 x 5.0 Face) T&G 1/8" Fineline 1/4" Tongue



T&G 1x6 1/4" Fineline

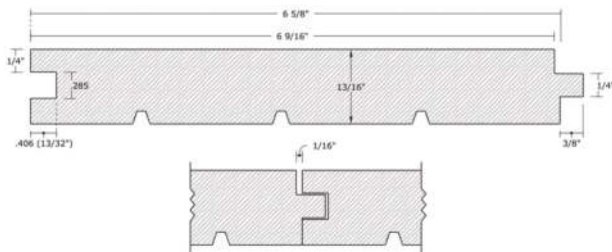
**Cedar**  
1x6 (13/16 x 5.0 Face) T&G 1/4" Fineline 1/4" Tongue



1x8 T&G Milling Profiles \*

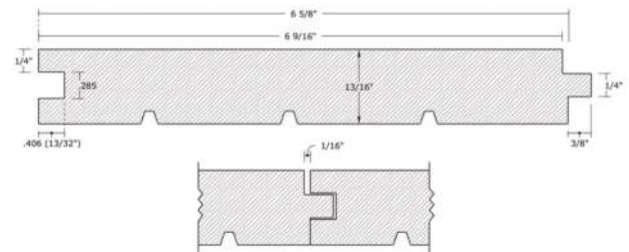
T&G 1x8 Tight

**Cedar**  
1x8 (13/16 x 6 5/8 Face) T&G 1/16" Fineline 3/8" Tongue



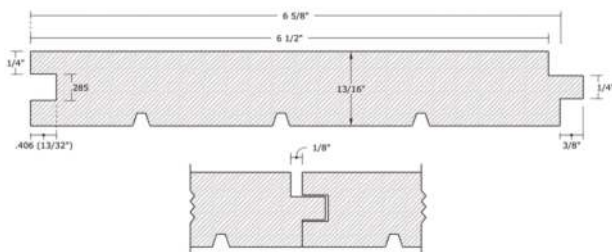
T&G 1x8 1/16" Fineline

**Cedar**  
1x8 (13/16 x 6 5/8 Face) T&G 1/16" Fineline 3/8" Tongue



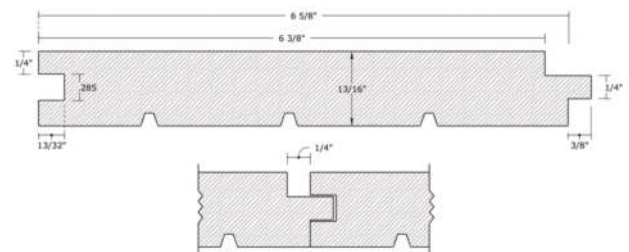
T&G 1x8 1/8" Fineline

**Cedar**  
1x8 (13/16 x 6 5/8 Face) T&G 1/8" Fineline 3/8" Tongue



T&G 1x8 1/4" Fineline

**Cedar**  
1x8 (13/16 x 6 5/8 Face) T&G 1/4" Fineline 3/8" Tongue



\* 1x8, 1x10, and 1x12 T&G profiles require a 3/8" tongue, instead of a 1/4" tongue.



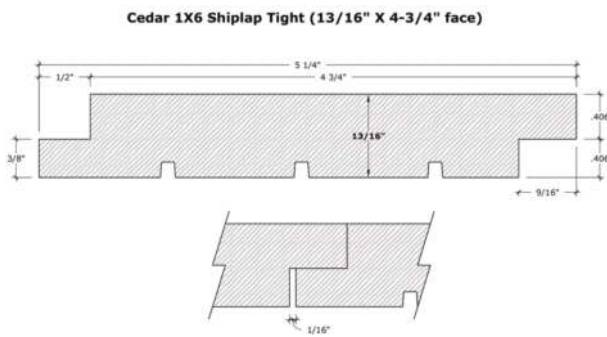
## Shiplap Profiles

Hewn's Interior Cedar Paneling is sold in widths of 1×4, 1×6, 1×8, 1×10, and 1×12. Profiles for our most common widths (1×6 and 1×8) are shown below. For more profiles, please refer to our Specification Sheet.

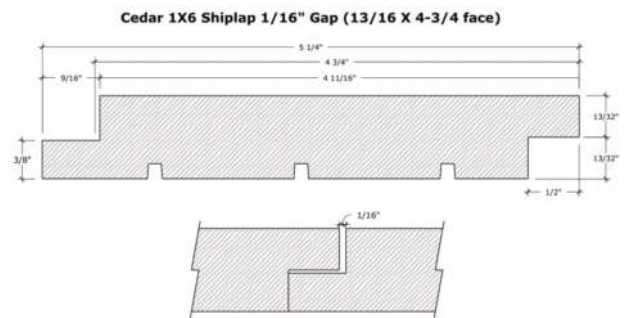
Hewn has the capability to create custom milling knives in-house. For more information on custom milling options, please contact one of our sales representatives.

### 1x6 Shiplap Milling Profiles

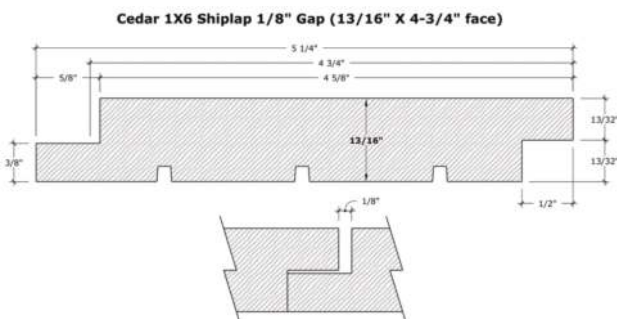
Shiplap 1x6 Tight



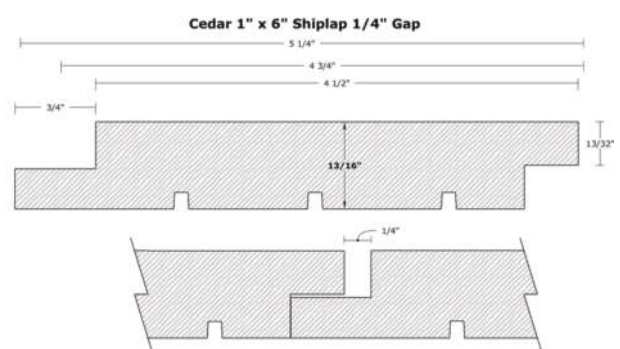
Shiplap 1x6 1/16" Finline



Shiplap 1x6 1/8" Finline



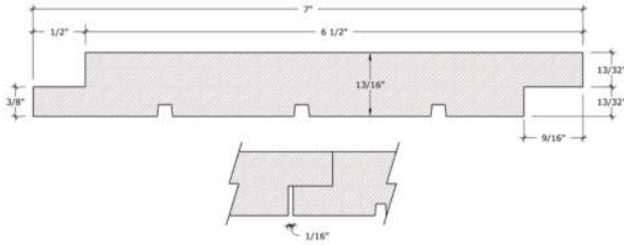
Shiplap 1x6 1/4" Finline



## 1x8 Shiplap Milling Profiles

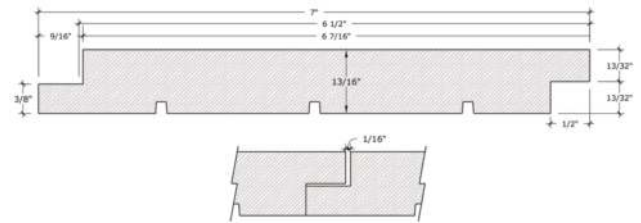
### Shiplap 1x8 Tight

**Cedar 1X8 Shiplap Tight (13/16" X 6-1/2" face)**



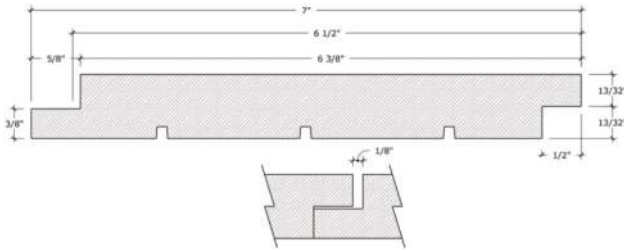
### Shiplap 1x8 1/16" Fineline

**Cedar 1X8 Shiplap 1/16" Gap (13/16" X 6-1/2" face)**



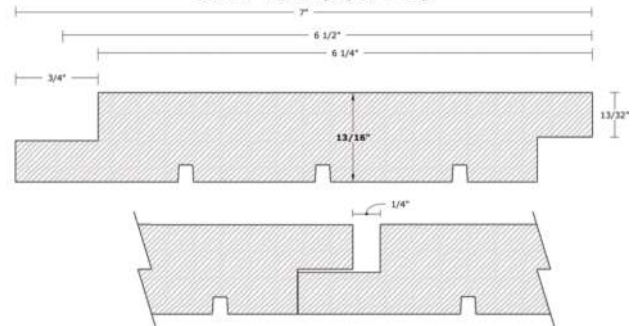
### Shiplap 1x8 1/8" Fineline

**Cedar 1X8 Shiplap 1/8" Gap (13/16" X 6-1/2" face)**



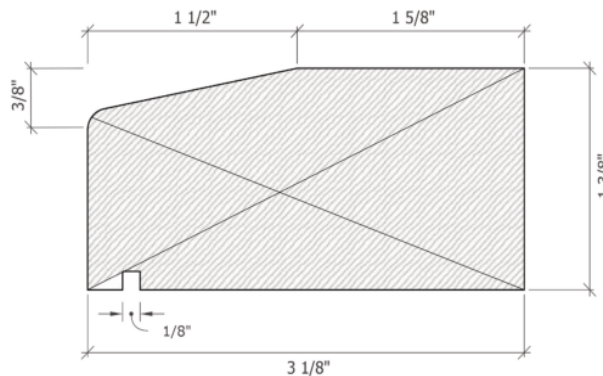
### Shiplap 1x8 1/4" Fineline

**Cedar 1" x 8" Shiplap 1/4" Gap**



## Exterior Siding Accessory Profiles

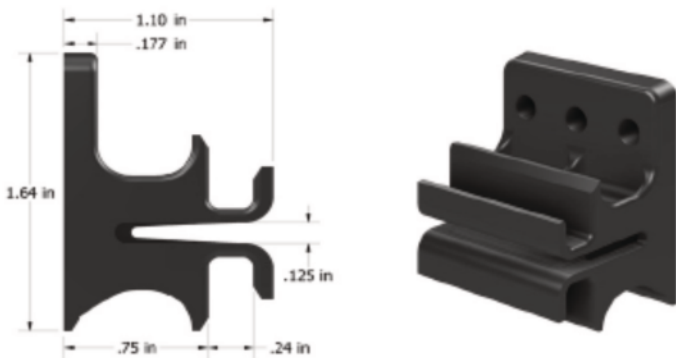
### **CEDAR WINDOW SILL ( 3-1/8" X 1-3/8" )**





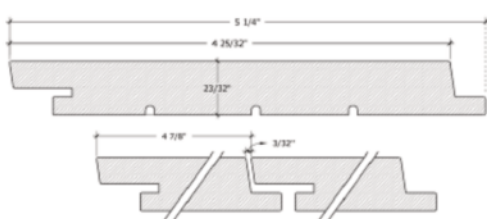
### Nova Rainscreen System

Hewn has partnered with Nova USA Wood to pair their industry-leading Rainscreen Siding ecosystem with Hewn's exterior siding products, including our Class A Fire Rated siding. Our highly skilled sales associates work with you throughout the entire process, ensuring that the product you order is customized to your individual needs, and is appropriate for your intended application.

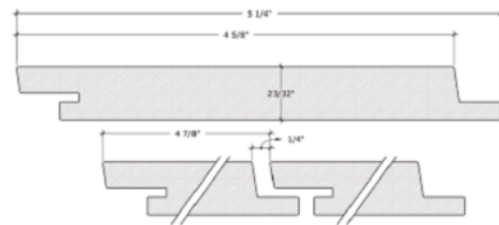


### Nova Rainscreen 1x6 Cedar

Cedar 1x6 Nova Rainscreen 3/32" Gap



Cedar 1x6 Nova Rainscreen 1/4" Gap



Cedar 1x6 Nova Rainscreen 1/2" Gap

