



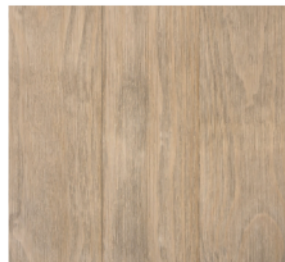
As the first company to produce acetylated wood on a commercial scale, Accoya® is leading the charge in providing durable and dimensionally stable wood for a variety of applications.

In the acetylation process, softwood is essentially turned into a hardwood through the introduction of a non-toxic vinegar-like solution, creating a new type of wood that is durable all the way through the board, not just on the surface. In practice, this allows for a wood product that is significantly protected against the elements, making it perfect for installation in exterior environments where a standard sealed wood product would fail after only a short amount of time.

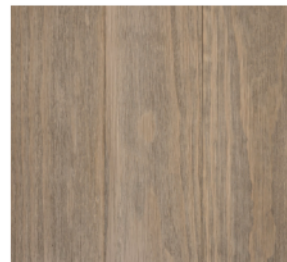
At Hewn, we build upon the extraordinary properties of Accoya® wood by applying our proprietary color and finish techniques to create beautiful, unique, and long-lasting wood products, suitable for a variety of applications, and

Heritage Collection

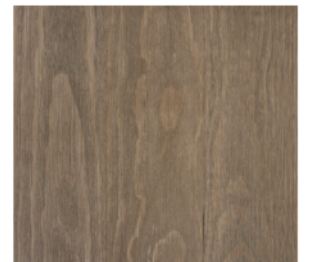
Hewn's Heritage Collection is designed to replicate the look and texture of traditional American barnwood, featuring colors and finishes that are appropriate for both rustic and modern applications. All of our Heritage offerings feature raised wood grain, highlighting the natural uniqueness of the sustainably-sourced material that we utilize in our products.



Desert Sand



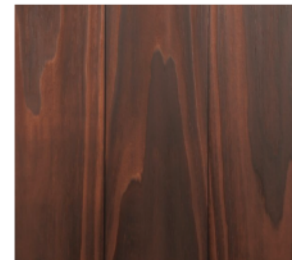
Mushroom



Peppercorn



Sea Drift



Thermal



Ohana Collection



Ākala



Kāleka



Polūkai

The Ohana Collection is inspired by the sights and color palettes of Hawaii. These colors are designed to be complementary to each other, and are ideal for use as an accent element, or as your primary color choice. All of these colors feature raised wood grain, adding depth and texture that cannot be created with a standard paint application.

Shou Sugi Ban Collection

Shou Sugi Ban is a traditional Japanese technique of charring wood, usually cedar, to increase its durability and resistance to fire, insects, and rot. The process involves carefully burning the surface of the wood to create a unique blackened appearance that is both aesthetically striking and functional.



Daku Ban



Graphite



Heavy Char

Endless Versatility

The uniquely durable properties of Accoya®, created using an all-natural process, allow the wood to be utilized for a variety of purposes. Our sales representatives can customize your order to fit your precise needs and use-case scenarios.

- Exterior Siding
Sealed for optimal protection against the elements
- Interior Paneling
Durable enough for high-traffic commercial areas
- Decking
Insect and rot resistance in a real-wood product

Specifications

Dimensions	Durability	Moisture Content	Density and Spread
Widths: 1×6, 1×8 Thickness: 3/4", 7/8", 1½"	Greater than 9 rating per AWPA E7	3-5 % at 65% relative humidity, 20°C	65% RH, 20°C, Average 32 pcf, Range 27 to 37 pcf
Fire Rating	Thermal Conductivity	Janka Hardness	Certification
Class C (ASTM E84) and D (EN14915)	ASTM C177, = 0.102 – 0.120 W/m·K	ASTM E143, Tangential = 972 psi, End Grain = 1,484 psi	Approved by WDMA as compliant with WDMA I.S. 4. Certified as compliant with Cradle-To-Cradle with Platinum Level Material Health Certificate.

Textures

- Brushed
 - Smooth Light Brushed *
 - Vertical Brushed †
 - Resawn *
 - Circle Sawn *
 - Crackle ^
 - Caviar ^
 - Shipwreck '''
- * Custom Option
 † Default on Peppercorn, Desert Sand, and Mushroom
 ^ Specific to Shou Sugi Ban Options
 ''' Specific to the Shipwreck finish



Image Courtesy of Accoya.com

Acetylated wood, at-scale.

Acetylation has been studied and practiced in the wood industry for more than 70 years. The process, by which wood is effectively “pickled” in an all-natural vinegar-like substance, was once considered impossible to produce in large quantities. With Accoya®, however, these barriers have been eliminated, and this durable real-wood non-toxic product can be produced and purchased at-scale.

And with Hewn’s expertise in coloring and finishing, Accoya® can be elevated to the next level, creating a timeless look and feel perfect for your next commercial or residential project.

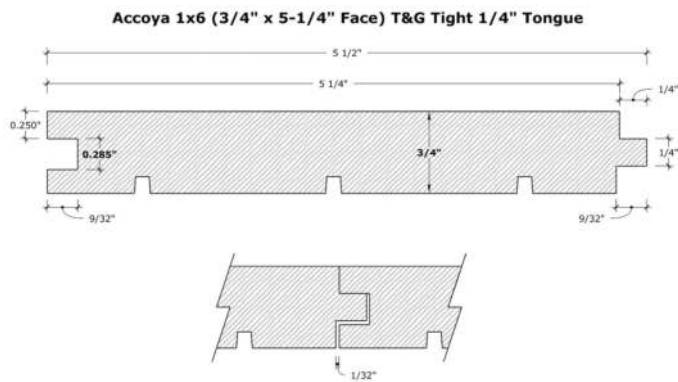
Standard Milling Profiles

Hewn's Accoya Siding is available in a variety of milling profiles, designed to fit the individual needs of your project. Our most common milling profiles, listed on this page, assume our standard thickness of 3/4".

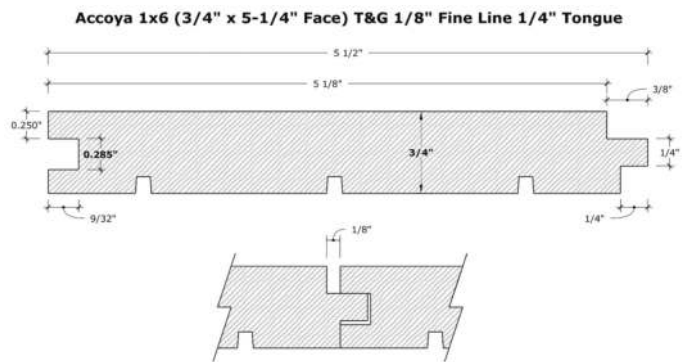
Some milling profiles may be unavailable on certain finishes, including (but not limited to) our Heavy Char options. Please contact our sales representatives for additional information and alternative options.

T&G Milling Profiles

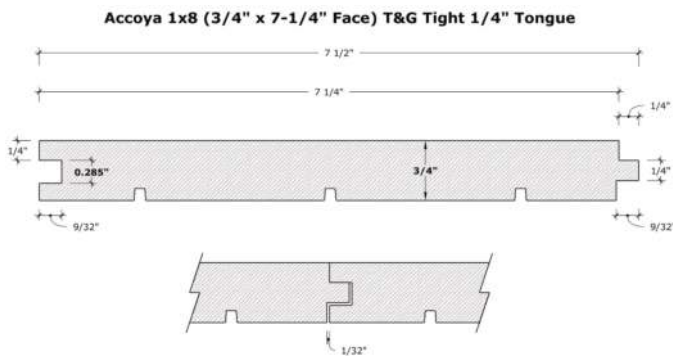
T&G 1x6 Tight



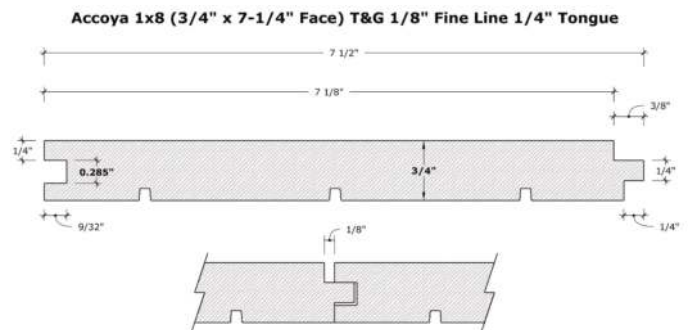
T&G 1x6 1/8" Fineline



T&G 1x8 Tight



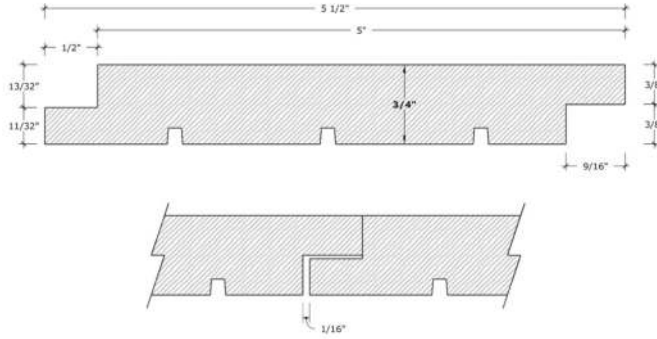
T&G 1x8 1/8" Fineline



Shiplap Profiles

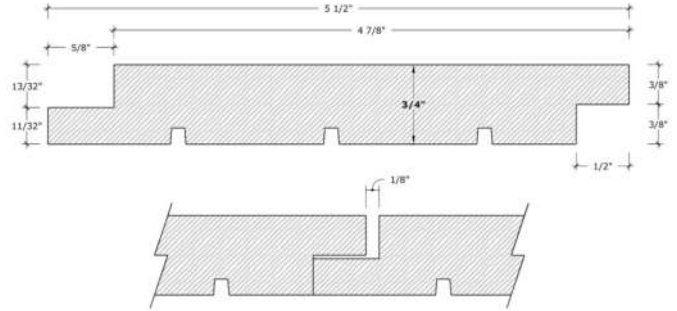
Shiplap 1x6 Tight

Accoya 1x6 (3/4" x 5" Face) Shiplap Tight



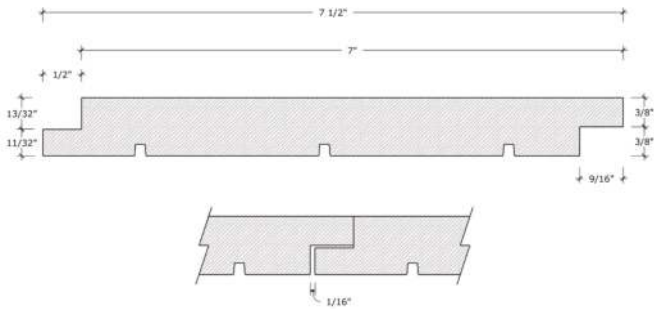
Shiplap 1x6 1/8" Finline

Accoya 1x6 (3/4" x 5" Face) Shiplap 1/8" Gap



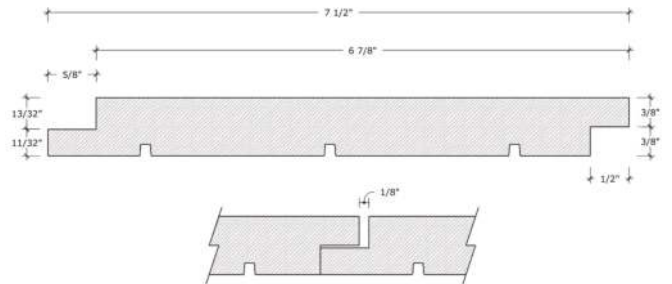
Shiplap 1x8 Tight

Accoya 1x8 (3/4" x 7" Face) Shiplap Tight



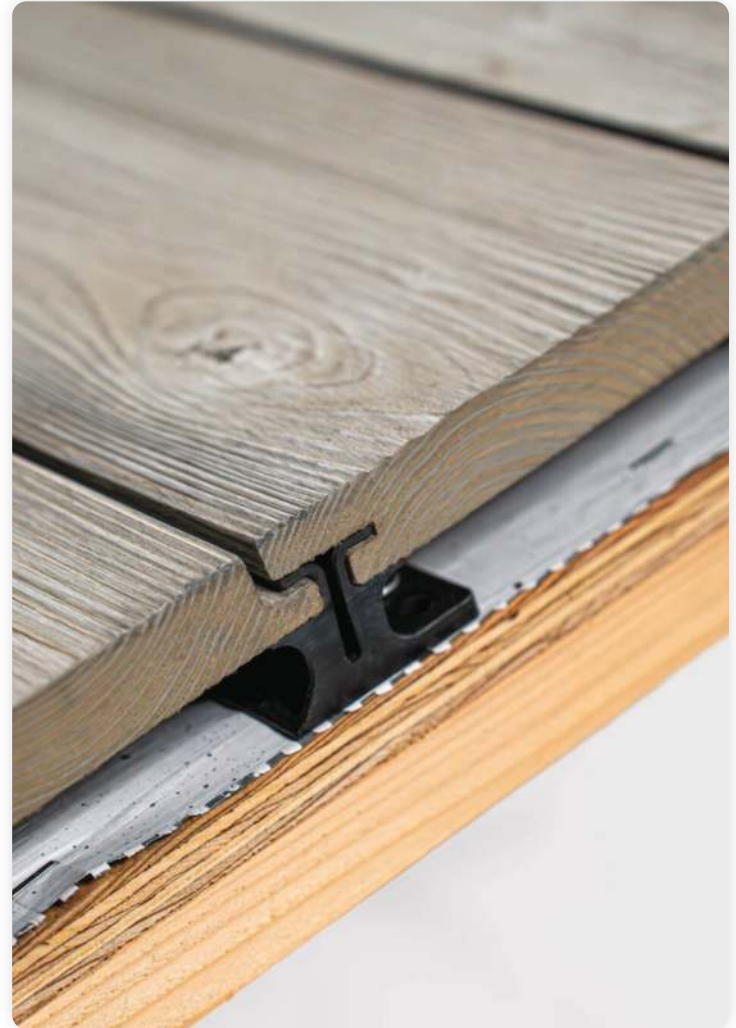
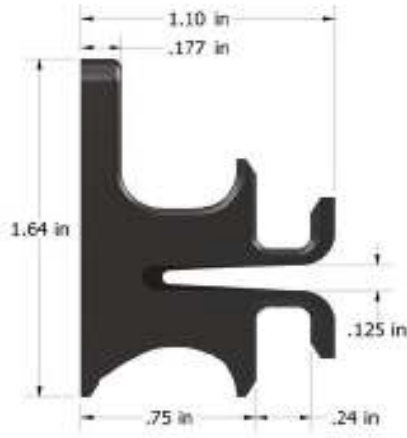
Shiplap 1x8 1/8" Finline

Accoya 1x8 (3/4" x 7" Face) Shiplap 1/8" Gap



Nova Rainscreen System

Hewn has partnered with Nova USA Wood to pair their industry-leading Rainscreen Siding ecosystem with Hewn’s exterior siding products, including our Class A Fire Rated siding. Our highly skilled sales associates work with you throughout the entire process, ensuring that the product you order is customized to your individual needs, and is appropriate for your intended application.



Designed for Real Wood

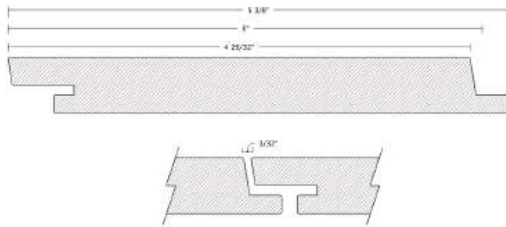
Real wood siding is subject to expansion and contraction in the width of the boards as a result of seasonal changes in humidity in any given individual location. Nova’s clips are stiff enough to hold the gap perfectly during installation and yet it is flexible or resilient enough to allow the wood swell up to 1/8” in width.

Rainscreen applications are a beautiful way to clad an exterior wall, making it less likely to suffer moisture problems that lead to rot and warping. And Nova’s unique clip design allows for a rainscreen system adapted to the wood’s natural needs.

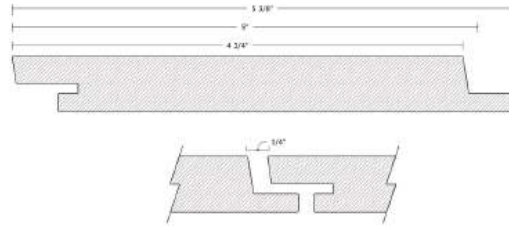


Nova Rainscreen 1x6 Accoya

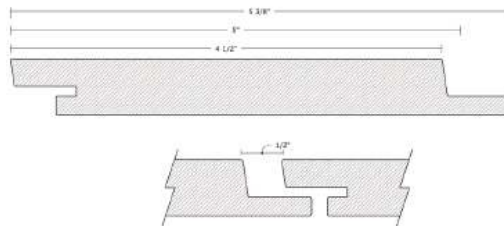
Accoya 1x6 Nova Rainscreen 3/32" Gap



Accoya 1x6 Nova Rainscreen 1/4" Gap

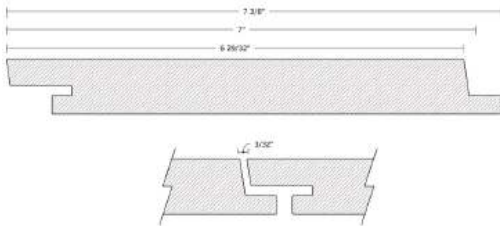


Accoya 1x6 Nova Rainscreen 1/2" Gap

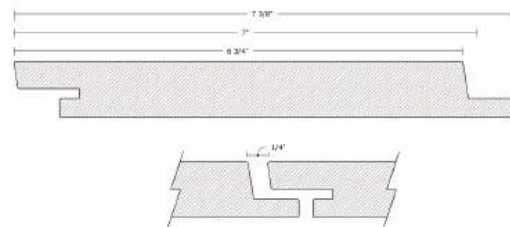


Nova Rainscreen 1x8 Accoya

Accoya 1x8 Nova Rainscreen 3/32" Gap



Accoya 1x8 Nova Rainscreen 1/4" Gap



Accoya 1x8 Nova Rainscreen 1/2" Gap

