

Our Exterior Cedar Siding is created using mill-direct Western Red Cedar and a proprietary non-toxic wood treatment process, resulting in a timeless finish.

Hewn's Exterior Cedar Siding is sold as solid 3/4" to 13/16" boards with multiple milling and width options available, and custom thicknesses available upon request. In addition to our catalog colors, we can also match and formulate custom colors to meet the individual needs of our clients.



Applications

Exterior Siding

Hewn optimizes this product for Exterior Siding use. Suitable for both Commercial and Residential environments.

Customization

Multiple options available

Custom colors and options are available. Hewn's Sample Approval Process allows for precise alterations to your product prior to ordering. Please refer to your sales representative for further information.

Class A Ignition-Resistant options for fire-prone regions are available upon request.

Technical Specifications

Species: Western Red Cedar	Grade: STK (Select Tight Knot) Inland Red Cedar, Rustic appearance with sound tight knots
Moisture Content: Kiln Dried - Average 10-14%	Janka Hardness: 350
Class Rating: B (ASTM E 84)	Flame Spread Index: 40 (ASTM E 84)
V.O.C. Content: 15.59 g/L*	Smoke Developed Index: 140 (ASTM E 84)
Nominal Width: 1x4 (3 1/2" face) 1x6 (5 1/2" face) 1x8 (7 1/4" face) 1x10 (9 1/4" face) 1x12 (11 1/4" face)	Thickness: 3/4" to 13/16"
	Finish: Renner Hydro Oil Exterior Sealer

Texture Options

Hewn's Exterior Cedar Siding is available in two primary textures: Standard and Distressed. Additional texture variations may be available upon request, as part of our sample matching process for custom orders.



Standard

Our Standard texture features a brushed, raised-grain surface that highlights the natural texture and tactile variance of the wood.



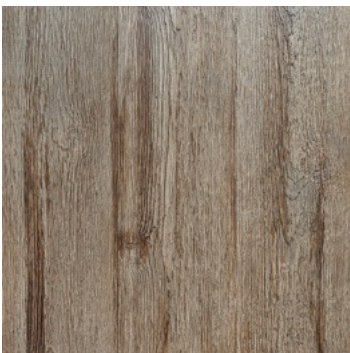
Distressed

Our Distressed texture builds upon the raised-grain surface of our Standard texture with additional cracks and nail-holes, as well as hand-tooled edges.

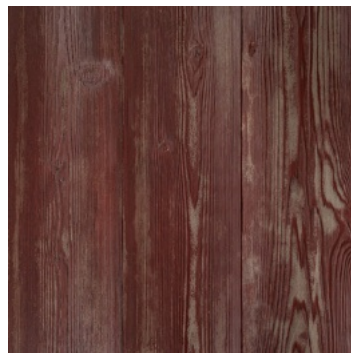
Color Options

Hewn offers a variety of color options for our Exterior Cedar Siding products. In addition to our base colors, Hewn's color technicians can color-match any of our products to an existing sample, or any material inspiration.

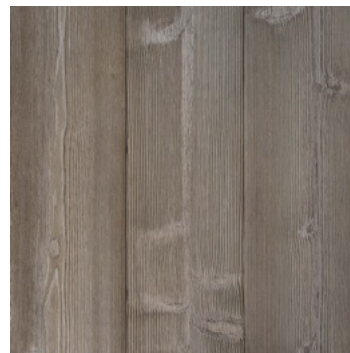
Heritage Collection



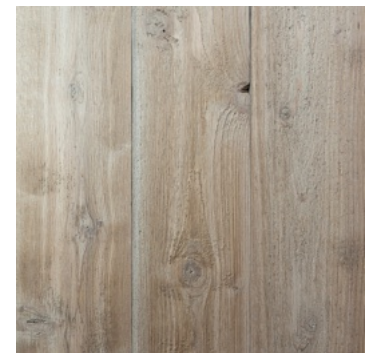
Aloha



Barn Red



Corral



Desert Sand

Continued on next page

Color Options

Heritage Collection

Continued



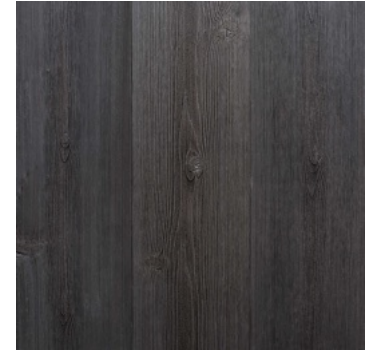
Driftwood



Farm Fleet



Graphite



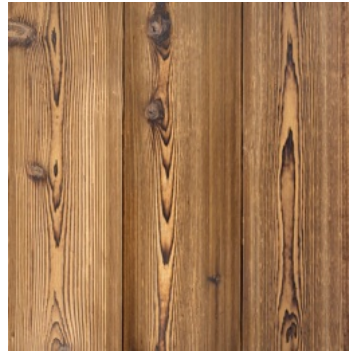
50% Graphite



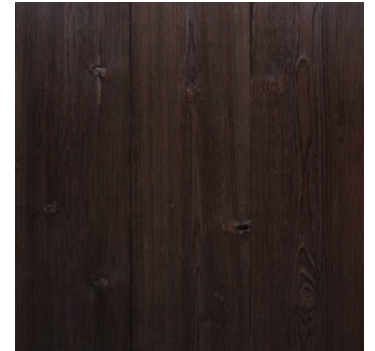
Hampton White



Mushroom



Natural



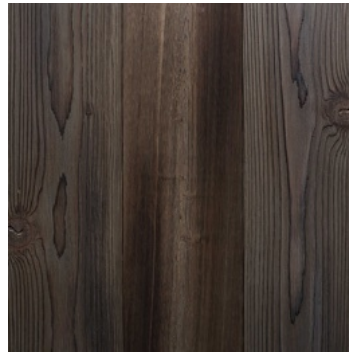
Noir



Peppercorn



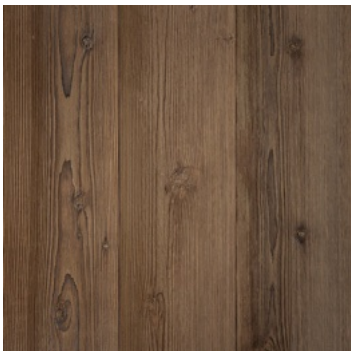
Rustic Natural



Rustic Reclaimed



Saddle



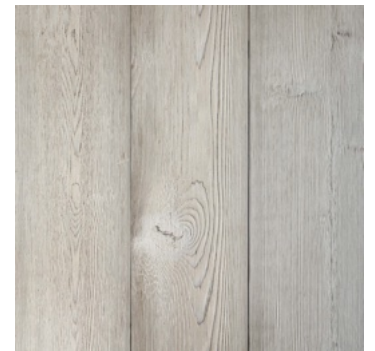
50% Saddle



Stone Grey



Titanium White



Trillium White

Continued on next page

Color Options

Heritage Collection

Continued

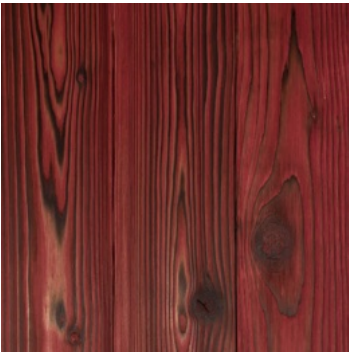


Weathered Grey



White Wash

Ohana Collection



Ākala



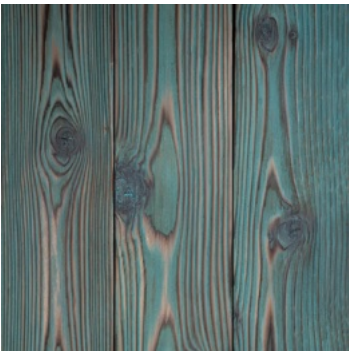
Alani



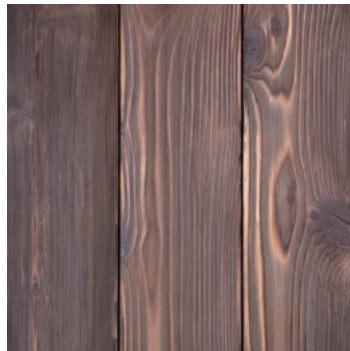
Kāleka



Melemele



Polūkai



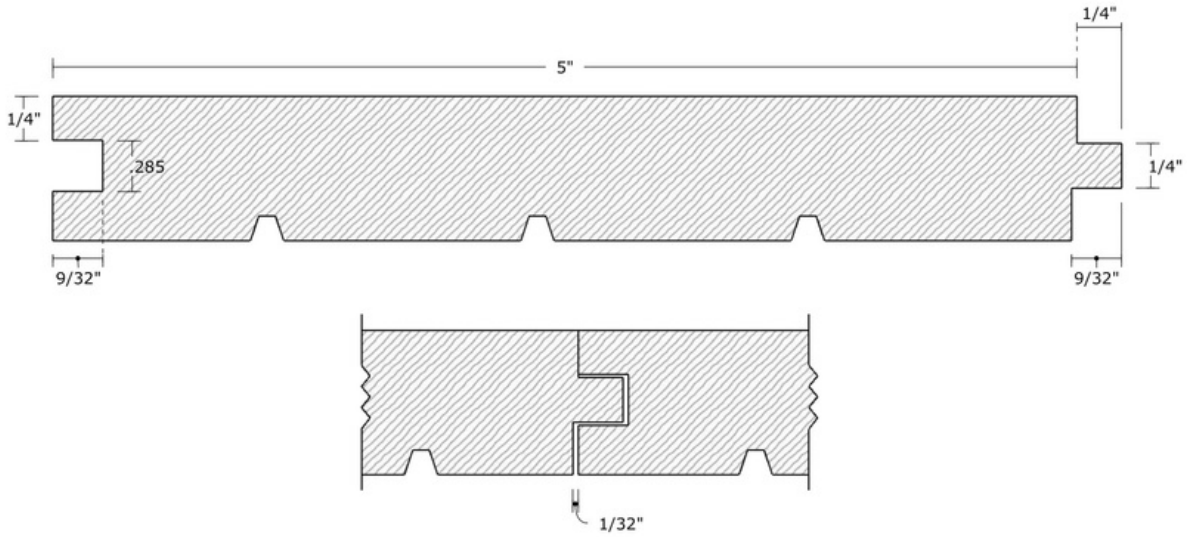
Uahi

Milling Profiles

1x6 Tongue & Groove

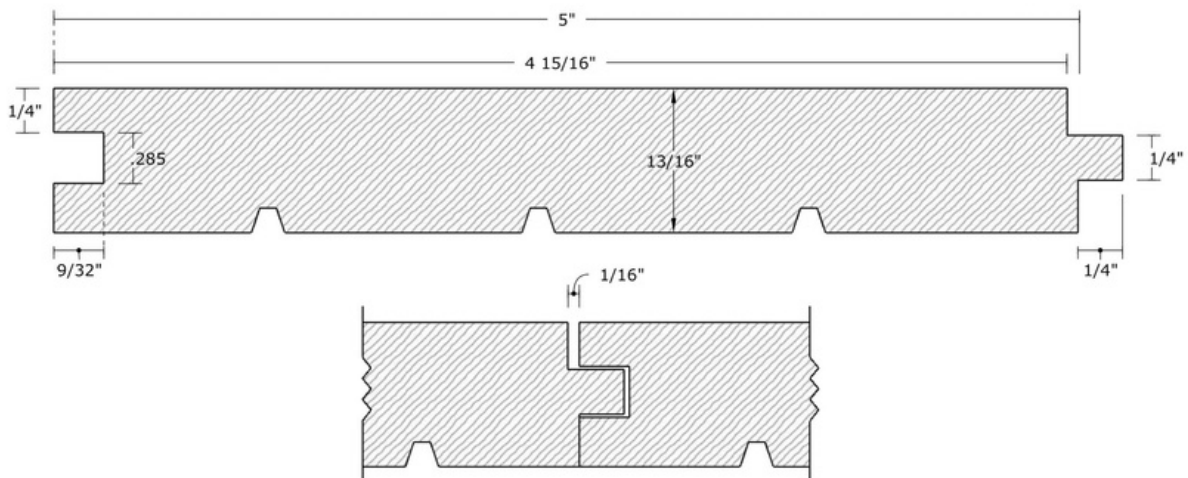
Cedar

1x6 (13/16 x 5.0 Face) T&G Tight 1/4" Tongue



Cedar

1x6 (13/16 x 5.0 Face) T&G 1/16" Finline 1/4" Tongue

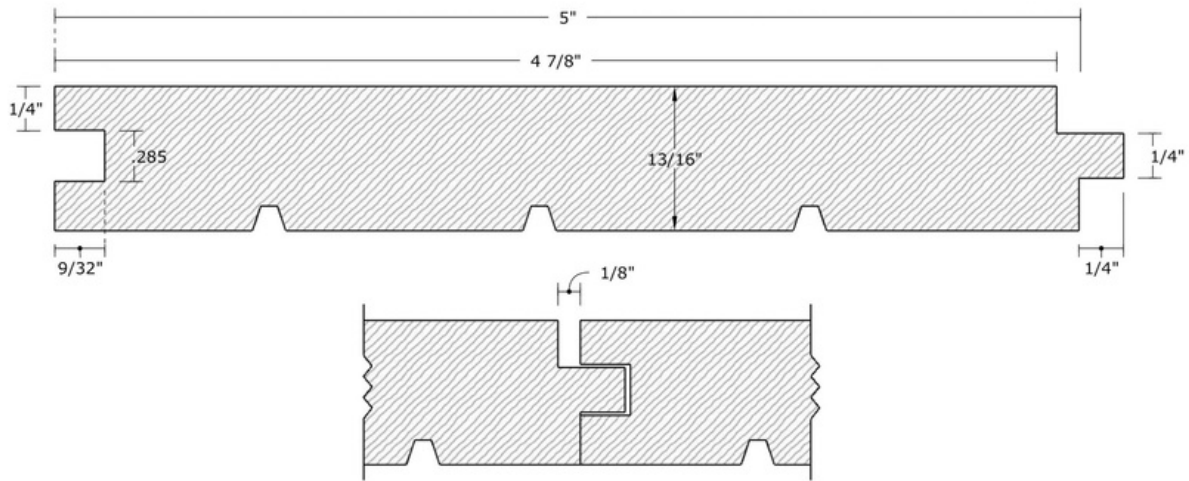


Milling Profiles

1x6 Tongue & Groove (Continued)

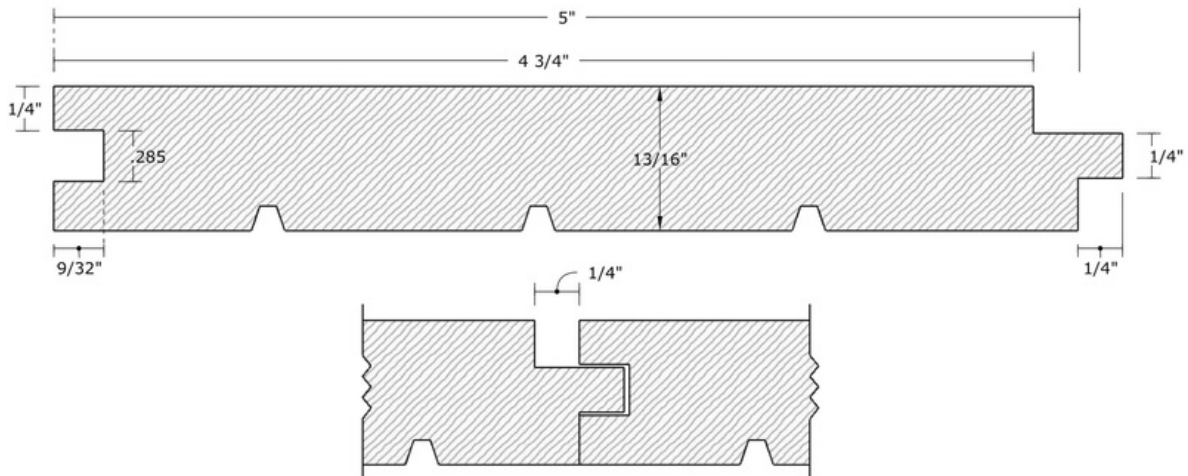
Cedar

1x6 (13/16 x 5.0 Face) T&G 1/8" Fineline 1/4" Tongue



Cedar

1x6 (13/16 x 5.0 Face) T&G 1/4" Fineline 1/4" Tongue

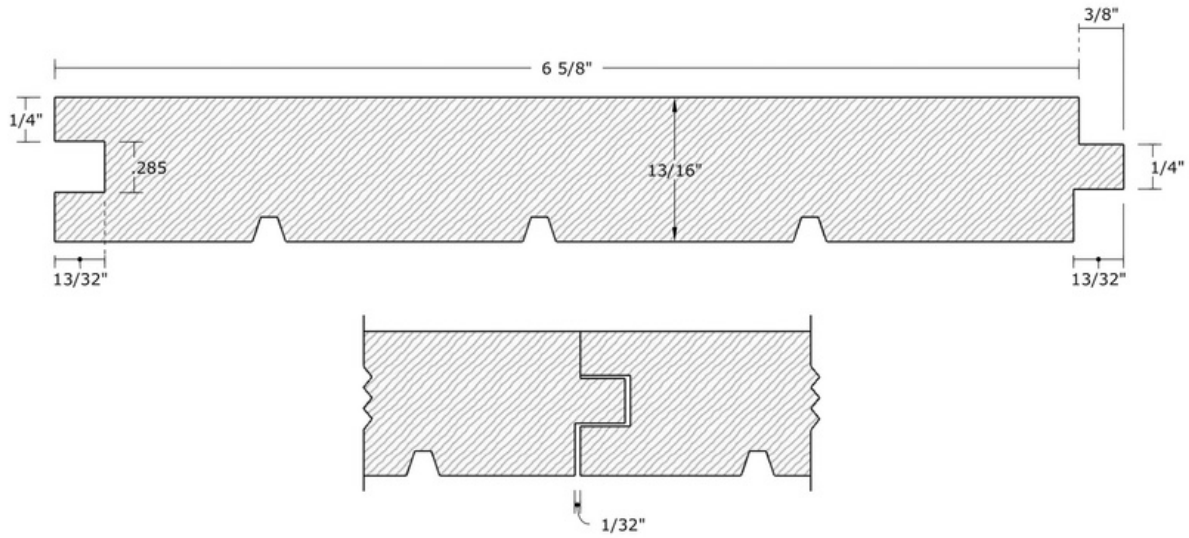


Milling Profiles

1x8 Tongue & Groove

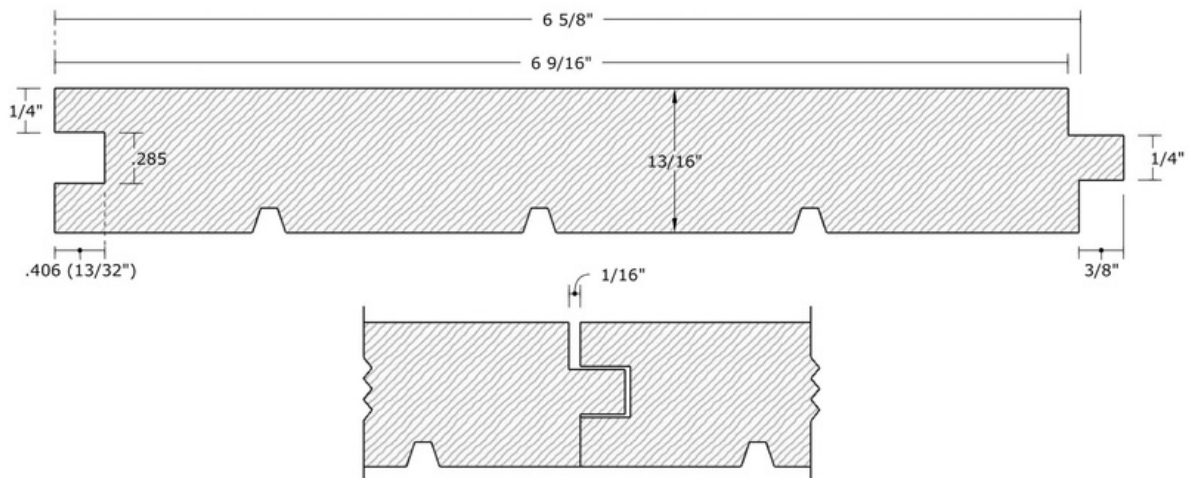
Cedar

1x8 (13/16 x 6 5/8" Face) T&G Tight 3/8" Tongue



Cedar

1x8 (13/16 x 6 5/8" Face) T&G 1/16" Fineline 3/8" Tongue

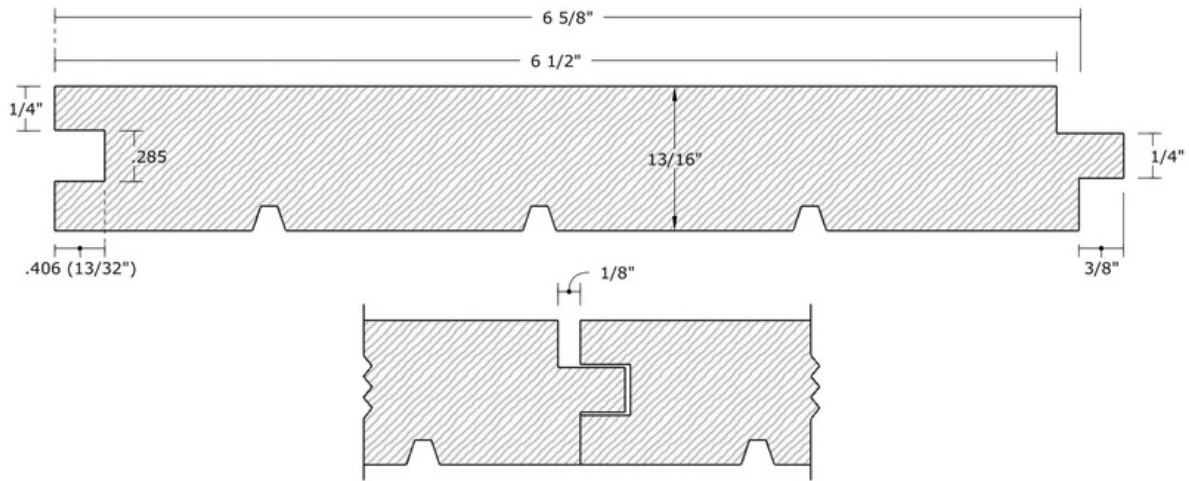


Milling Profiles

1x8 Tongue & Groove (Continued)

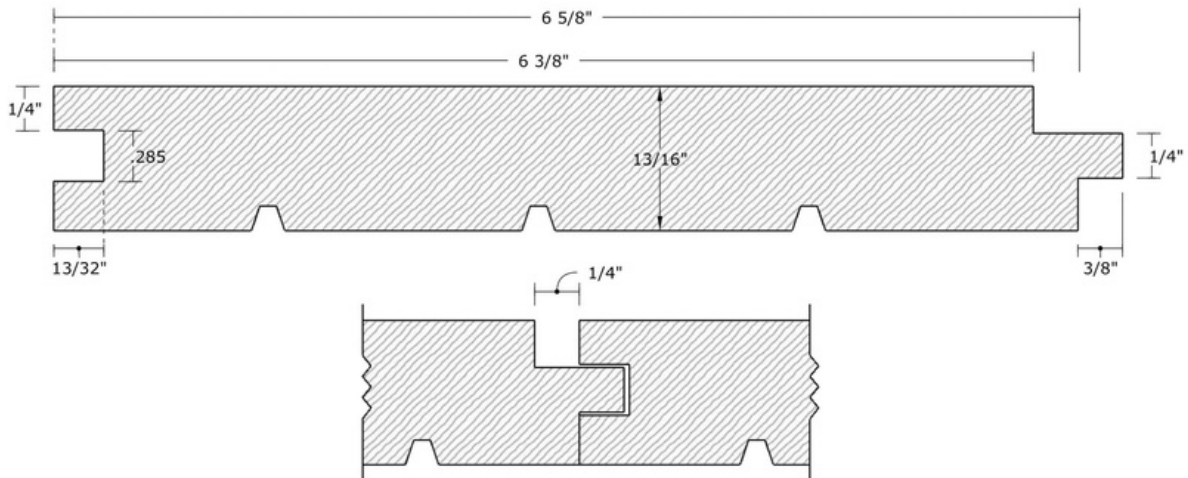
Cedar

1x8 (13/16 x 6 5/8 Face) T&G 1/8" Finline 3/8" Tongue



Cedar

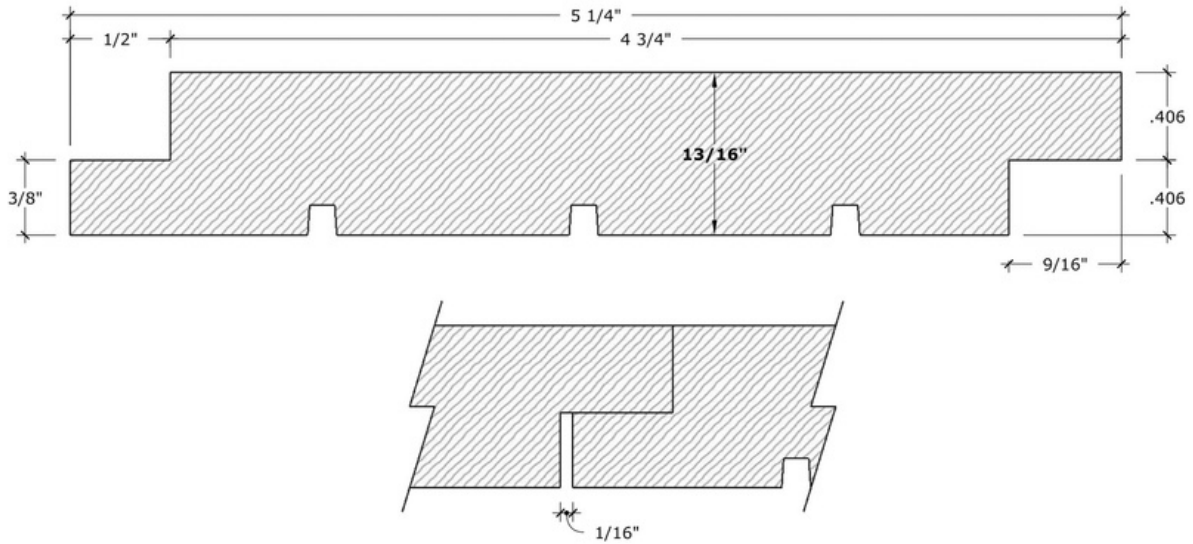
1x8 (13/16 x 6 5/8 Face) T&G 1/4" Finline 3/8" Tongue



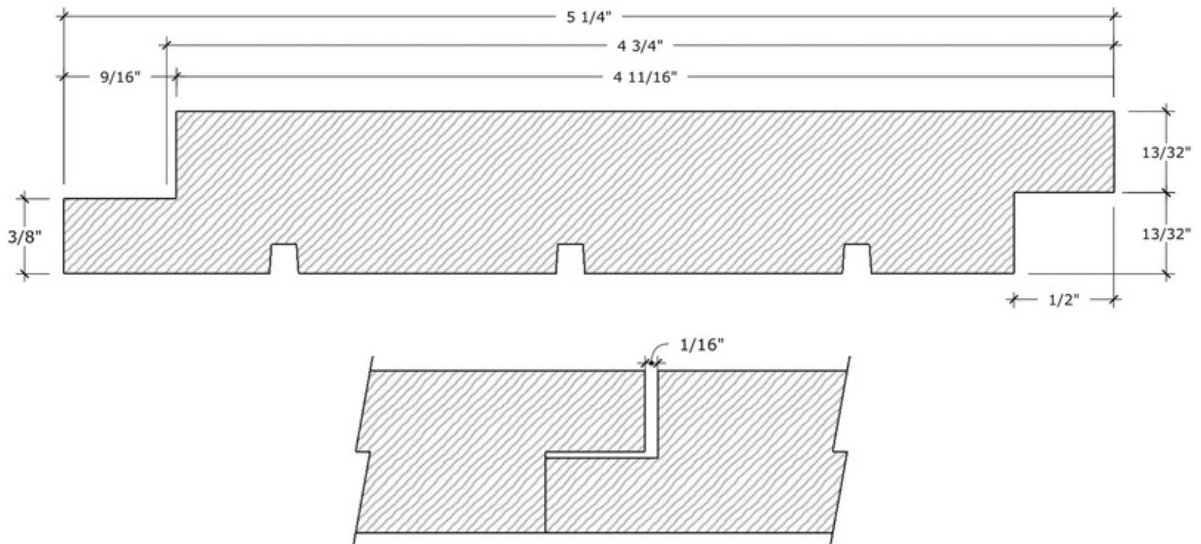
Milling Profiles

1x6 Shiplap

Cedar 1X6 Shiplap Tight (13/16" X 4-3/4" face)



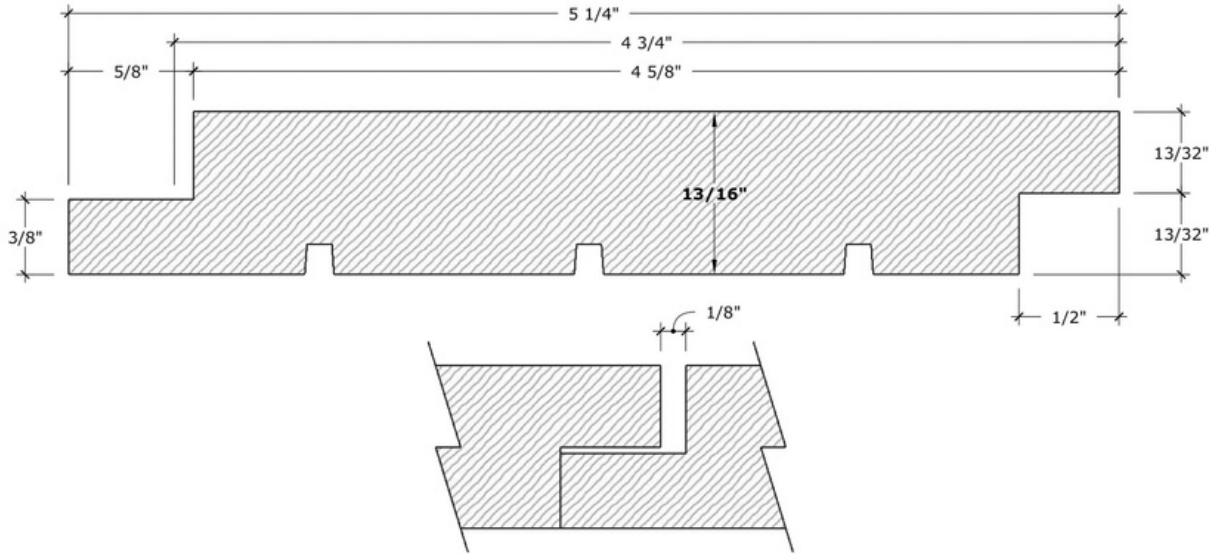
Cedar 1X6 Shiplap 1/16" Gap (13/16 X 4-3/4 face)



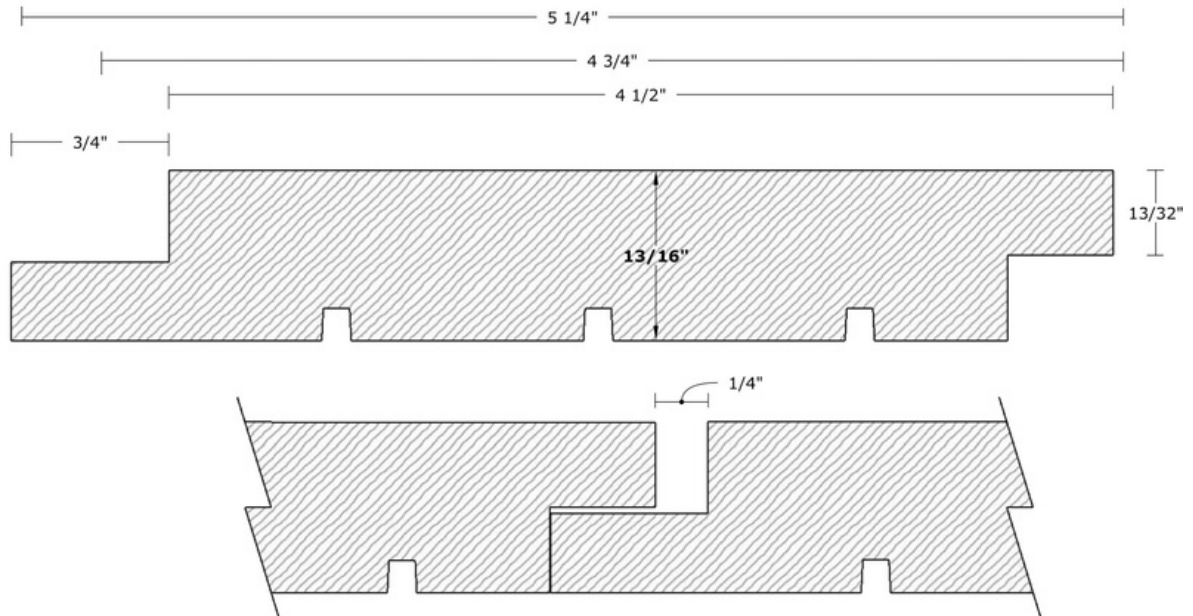
Milling Profiles

1x6 Shiplap (Continued)

Cedar 1X6 Shiplap 1/8" Gap (13/16" X 4-3/4" face)



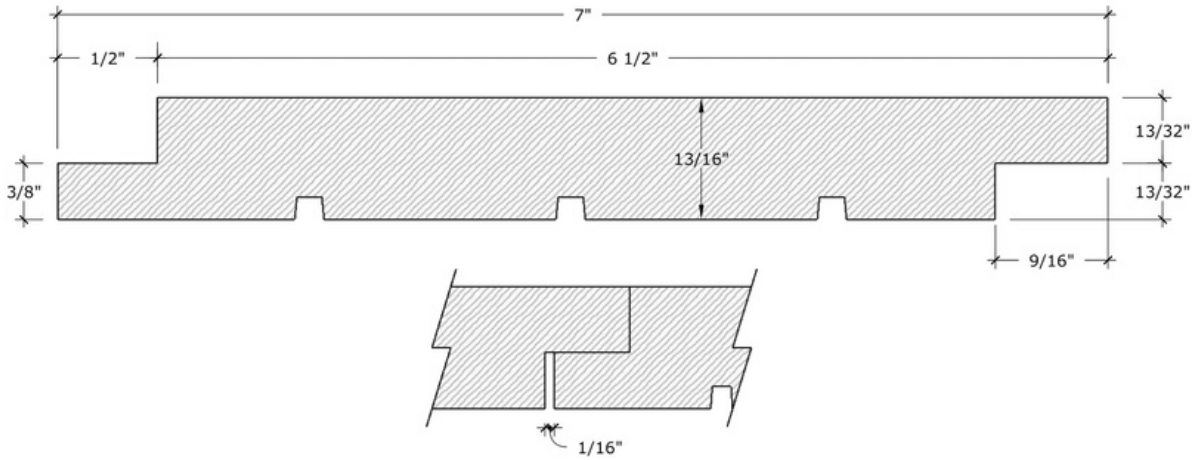
Cedar 1" x 6" Shiplap 1/4" Gap



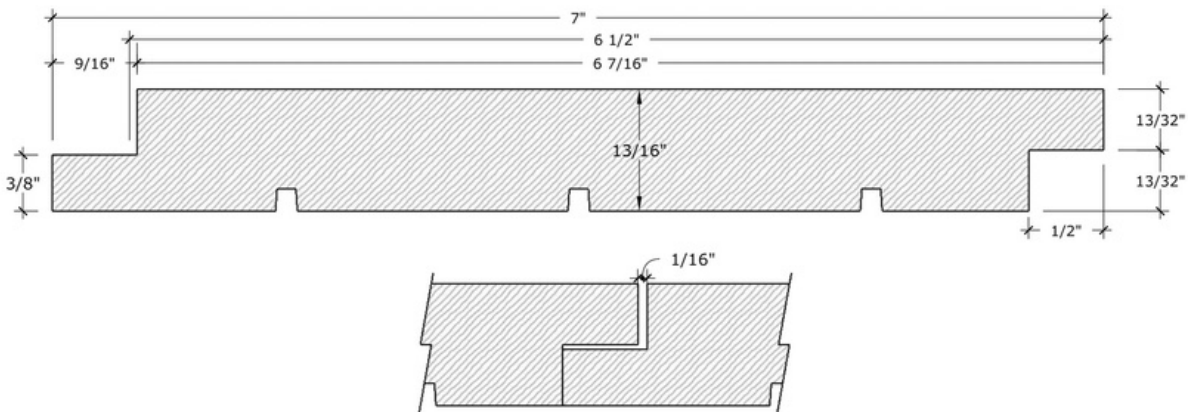
Milling Profiles

1x8 Shiplap

Cedar 1X8 Shiplap Tight (13/16" X 6-1/2" face)



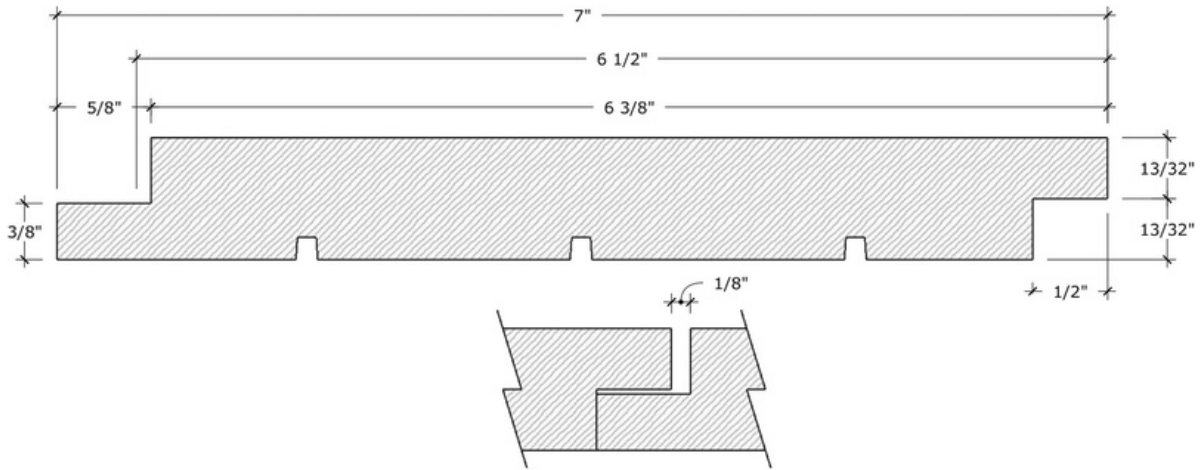
Cedar 1X8 Shiplap 1/16" Gap (13/16" X 6-1/2" face)



Milling Profiles

1x8 Shiplap (Continued)

Cedar 1X8 Shiplap 1/8" Gap (13/16" X 6-1/2" face)



Cedar 1" x 8" Shiplap 1/4" Gap

