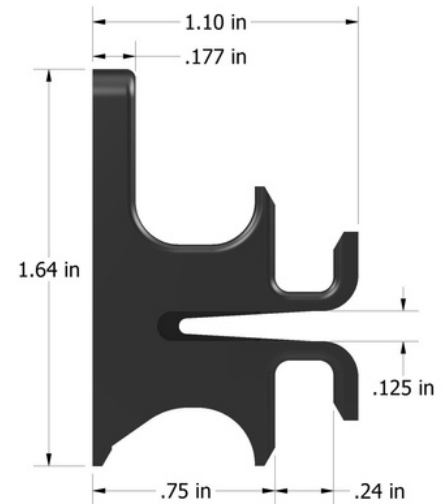


Overview

Hewn has partnered with Nova USA Wood to pair their industry-leading Rainscreen Siding ecosystem with Hewn's exterior siding products, including our Class A Fire Rated siding. Our highly skilled sales associates work with you throughout the entire process, ensuring that the product you order is customized to your individual needs, and is appropriate for your intended application.



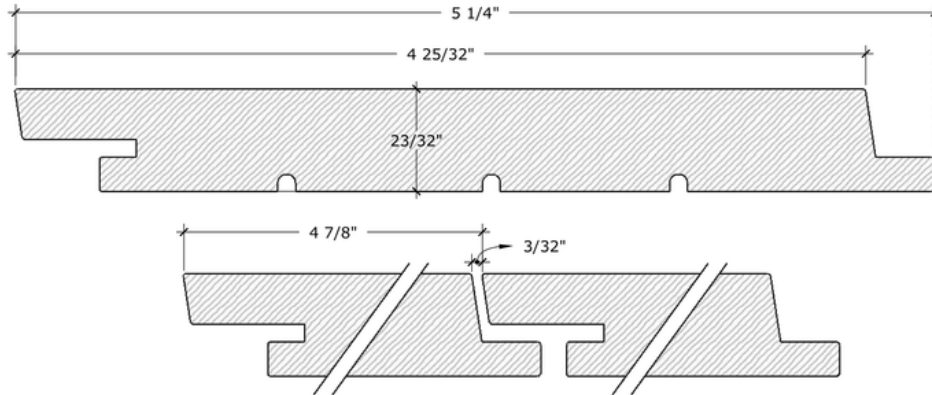
- Clips are made with Glass Infused Nylon for increased durability.
- Clips are specifically designed to allow for natural swelling and shrinkage in the widths of individual boards after installation.
- Clips are attached with exterior grade #10 pan head screws (not supplied by Hewn).
- Cor-A-Vent must be used under top and bottom rows (not supplied by Hewn).
- Clips result in a 3/4" Air Gap between the siding and the plywood sheathing.
- Clip spacing recommendation is every 16" for both 1x6 and 1x8 boards.
- Available on all 1x6 and 1x8 Hewn Exterior Accoya and Kebony products. Available on all 1x6 Cedar grades (STK and CVG) and 1x6 Class A Cedar. Not available on any Cedar products wider than 6".
- Clips include limited lifetime warranty with handling and proper installation. Please refer to the standard Hewn warranty for any issues pertaining to the finish or integrity of the wood.



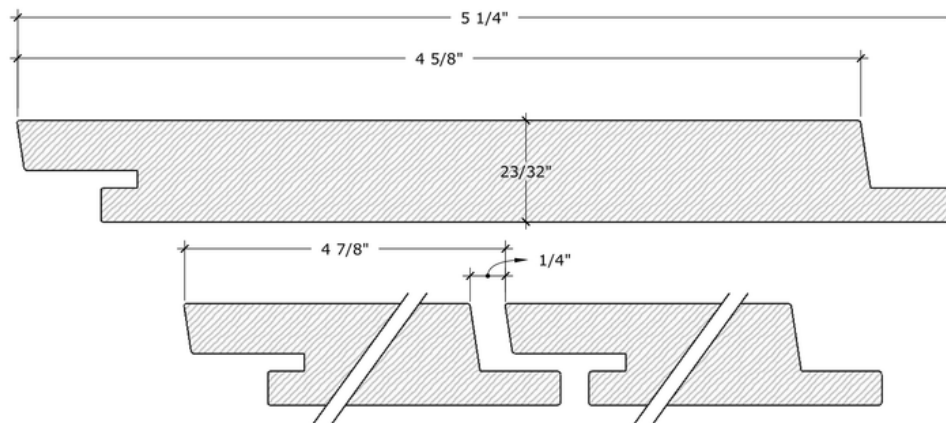
Milling Profiles

Nova Rainscreen 1x6 Cedar

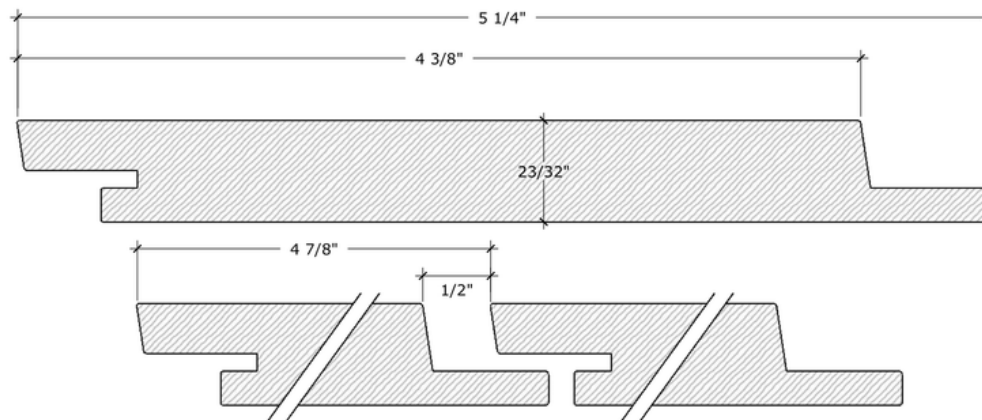
Cedar 1x6 Nova Rainscreen 3/32" Gap



Cedar 1x6 Nova Rainscreen 1/4" Gap



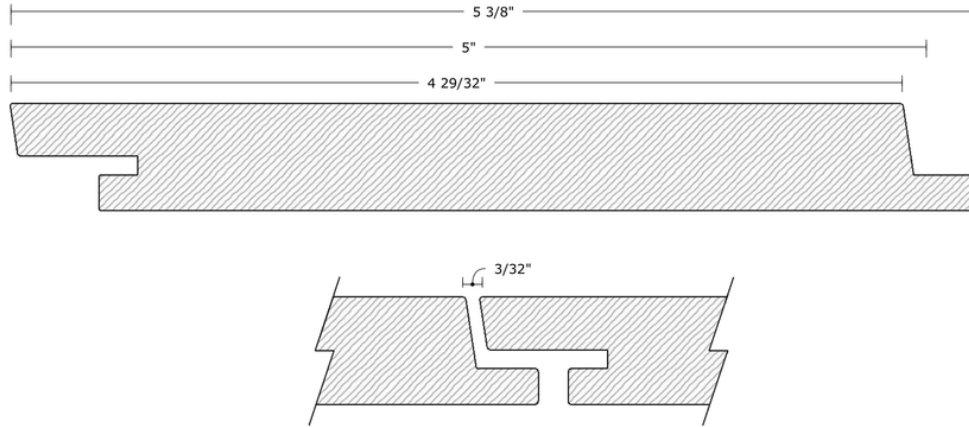
Cedar 1x6 Nova Rainscreen 1/2" Gap



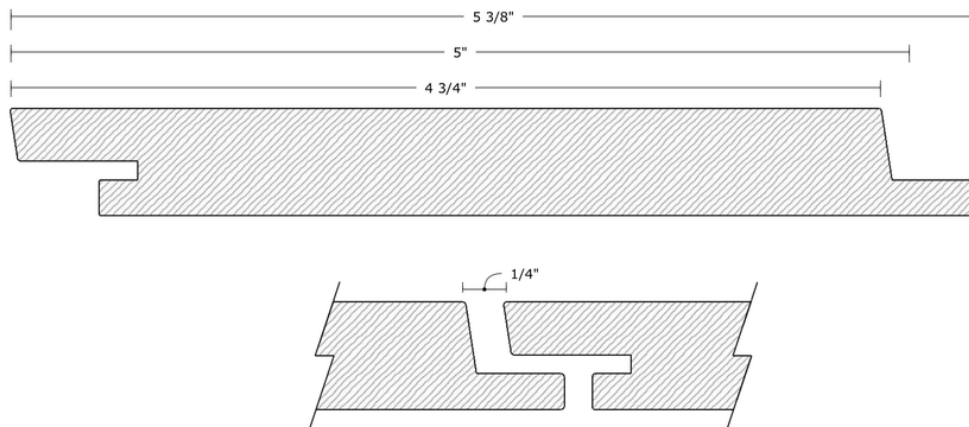
Milling Profiles

Nova Rainscreen 1x6 Accoya & Kebony

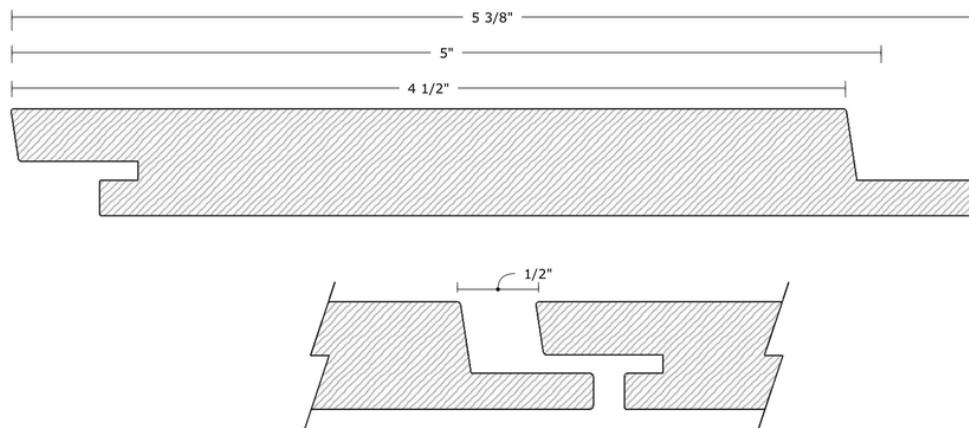
Accoya & Kebony 1x6 Nova Rainscreen 3/32" Gap



Accoya & Kebony 1x6 Nova Rainscreen 1/4" Gap



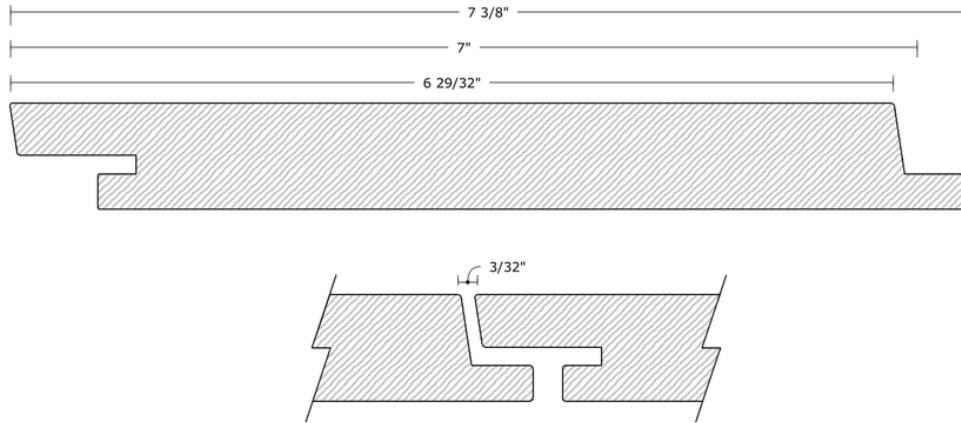
Accoya & Kebony 1x6 Nova Rainscreen 1/2" Gap



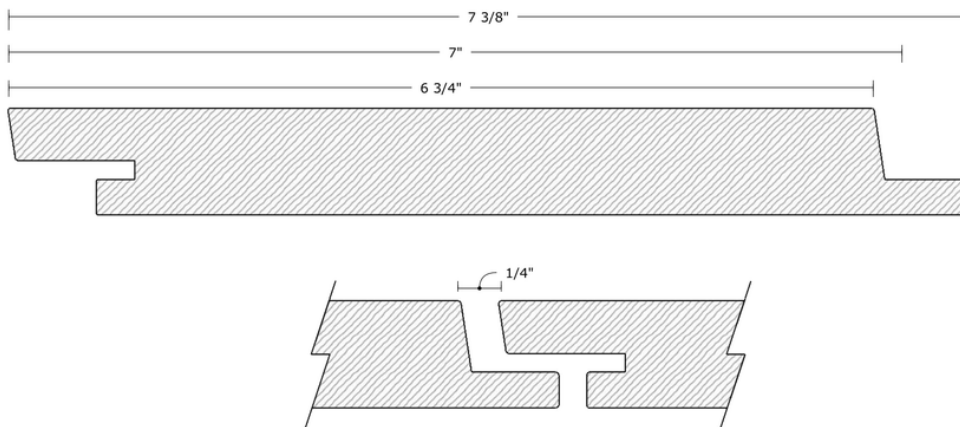
Milling Profiles

Nova Rainscreen 1x8 Accoya & Kebony

Accoya & Kebony 1x8 Nova Rainscreen 3/32" Gap



Accoya & Kebony 1x8 Nova Rainscreen 1/4" Gap



Accoya & Kebony 1x8 Nova Rainscreen 1/2" Gap

