

Hewn's Exterior A&btr CVG Cedar Siding is created using a mill-direct and proprietary non-toxic wood treatment process, resulting in a timeless finish.

Hewn's Exterior A&btr CVG Cedar Siding is sold as 11/16" boards with multiple milling and width options available, and custom thicknesses available upon request. In addition to our catalog colors, we can also match and formulate custom colors to meet the individual needs of our clients.



Applications

Interior Paneling · Exterior Siding

Hewn recommends this product for both Interior Paneling and Exterior Siding use. Suitable for both Commercial and Residential environments.

Customization

Multiple options available

Custom colors and options are available. Hewn's Sample Approval Process allows for precise alterations to your product prior to ordering. Please refer to your sales representative for further information.

Class A Ignition-Resistant options for fire-prone regions are available upon request.

Technical Specifications

Species:	Western Red Cedar	Grade:	A&btr Clear Vertical Grain
Moisture Content:	Kiln Dried - Average 10-14%	Janka Hardness:	350
Class Rating:	B (ASTM E 84)	Flame Spread Index:	40 (ASTM E 84)
V.O.C. Content:	15.59 g/L*	Smoke Developed Index:	140 (ASTM E 84)
Nominal Width:	1x4 (3 1/2" face) 1x6 (5 1/2" face) 1x8 (7 1/4" face) 1x10 (9 1/4" face) 1x12 (11 1/4" face)	Thickness:	11/16"
		Finish:	Renner Hydro Oil Exterior Sealer

Texture Options

Hewn's A & Better Clear Vertical Grain Cedar is offered primarily in one default texture, which features a light brush resulting in tight raised grain with a relatively smooth surface. Custom texture options may be available upon request.



Color Options

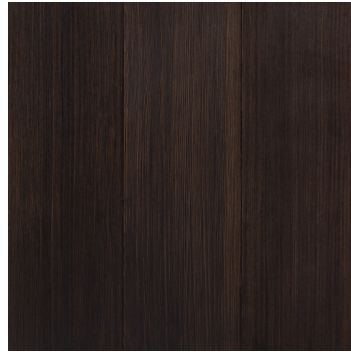
Hewn offers our A & Better Clear Vertical Grain Cedar in a variety of standard colors. Custom colors and options are available, as well as raw material upon request. Please refer to your sales representative for further information.



Corral



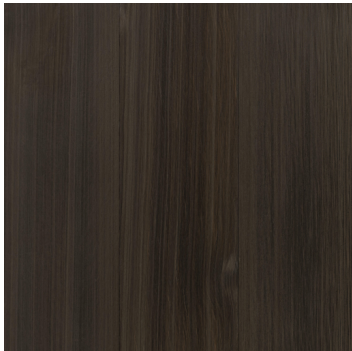
Daku Ban



Dark Roast



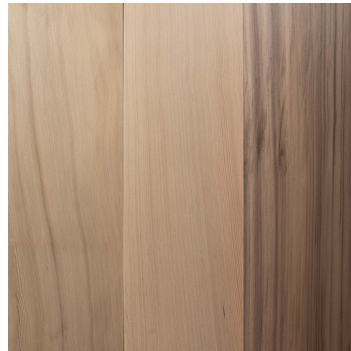
Desert Sand



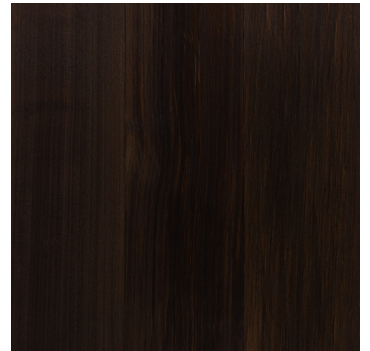
Driftwood



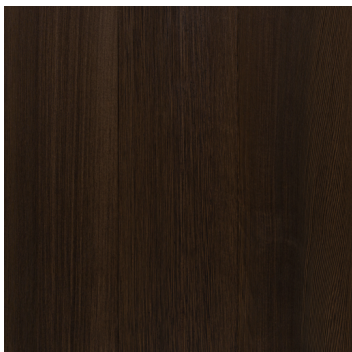
Linen White



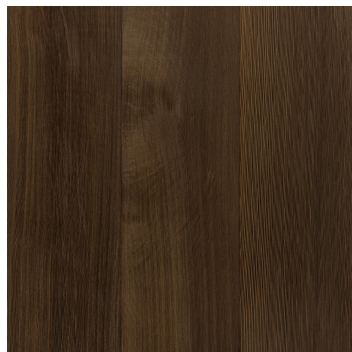
Natural Honey



Noir



Saddle



50% Saddle



Stone Grey

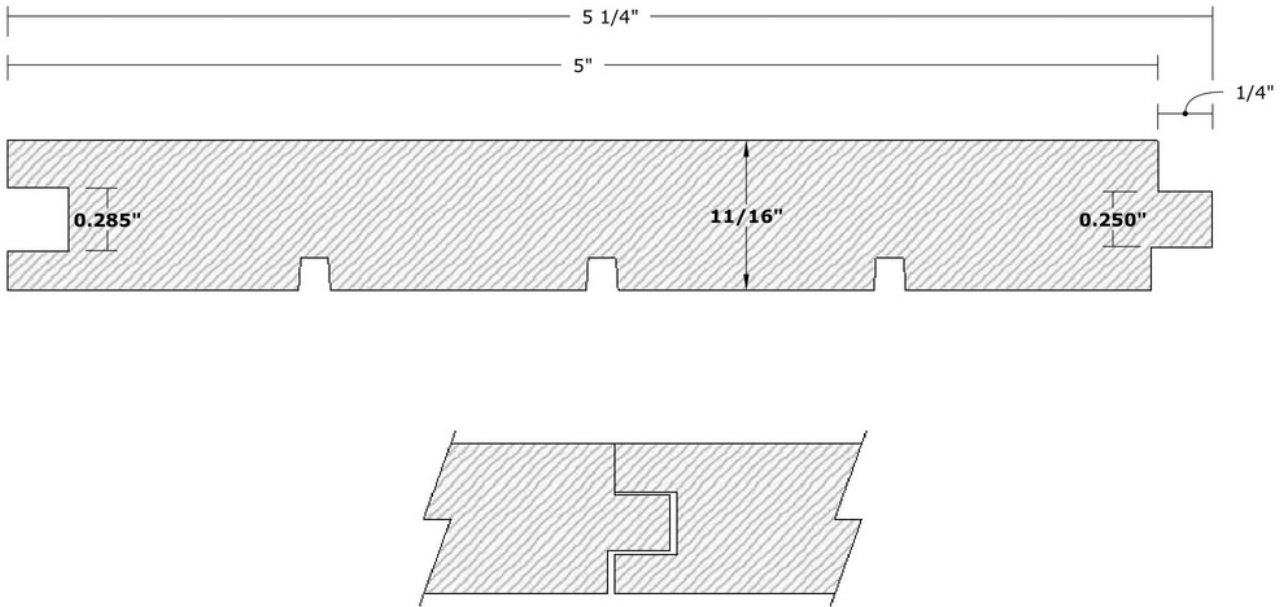


Weathered Grey

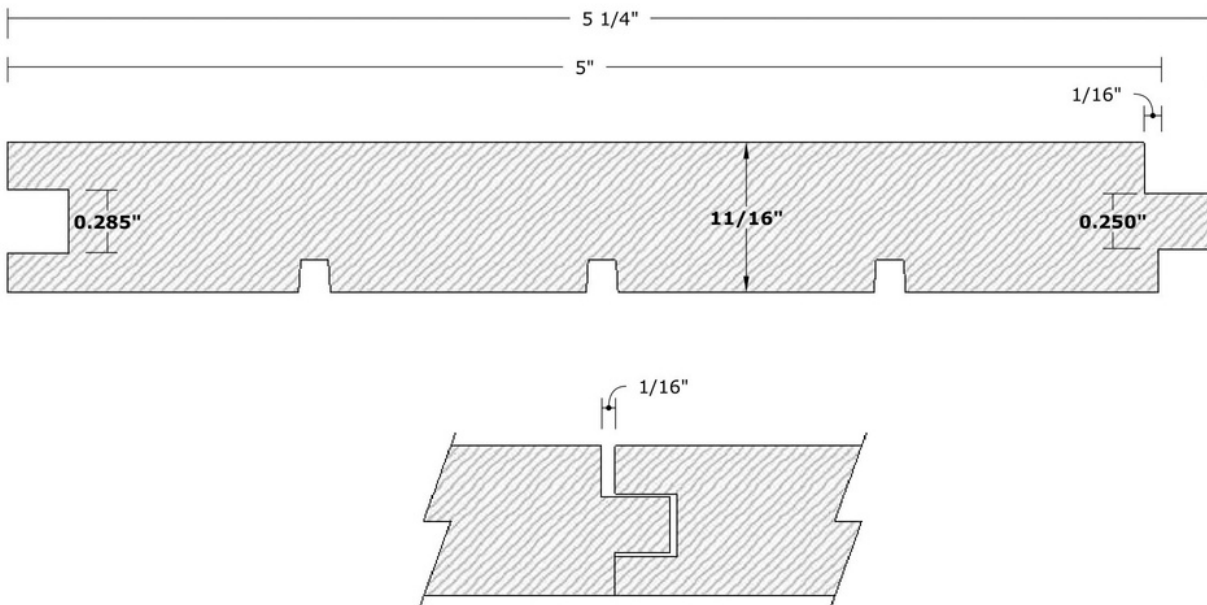
Milling Profiles

1x6 Tongue & Groove

A&BTR CVG Cedar 1X6 T&G Tight



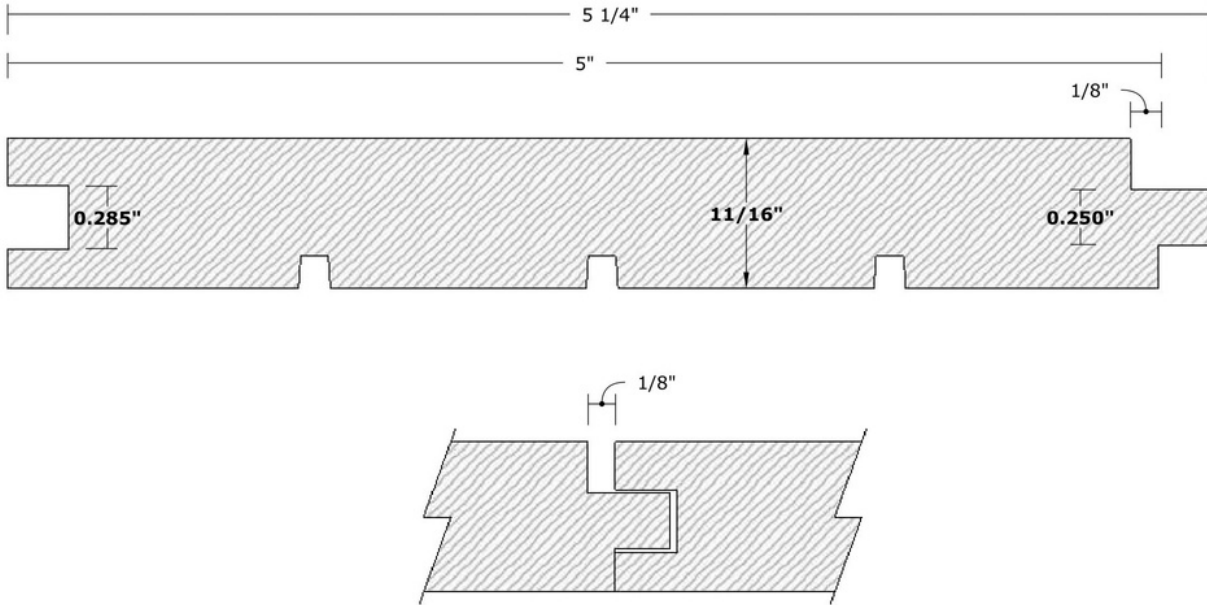
A&BTR CVG Cedar 1X6 T&G $\frac{1}{16}$ " Fineline



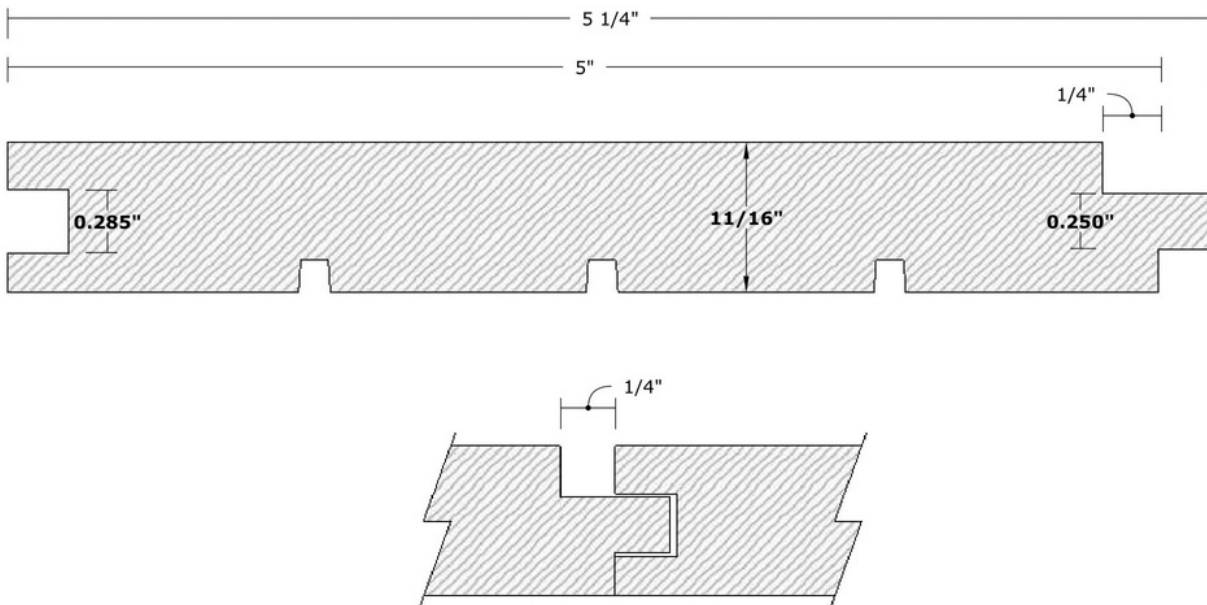
Milling Profiles

1x6 Tongue & Groove (Continued)

A&BTR CVG Cedar 1X6 T&G 1/8" Fineline



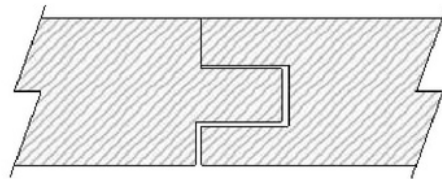
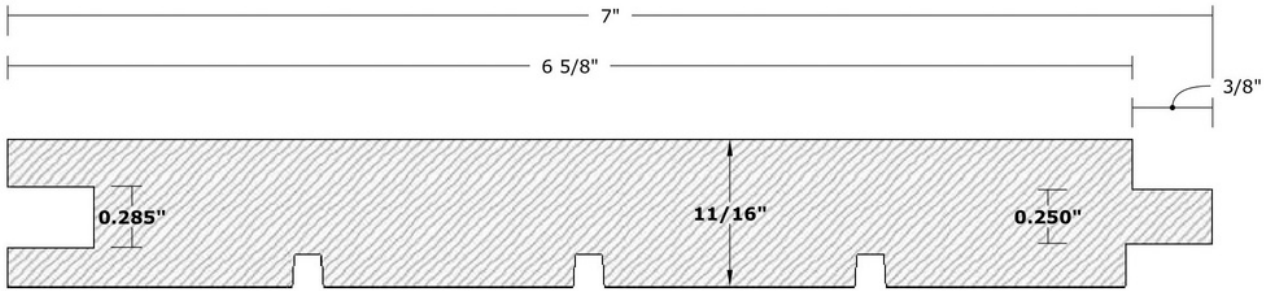
A&BTR CVG Cedar 1X6 T&G 1/4" Fineline



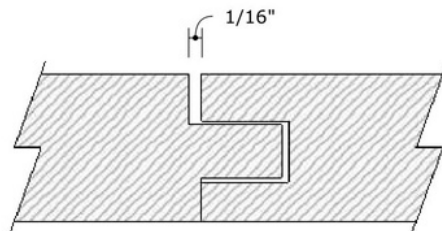
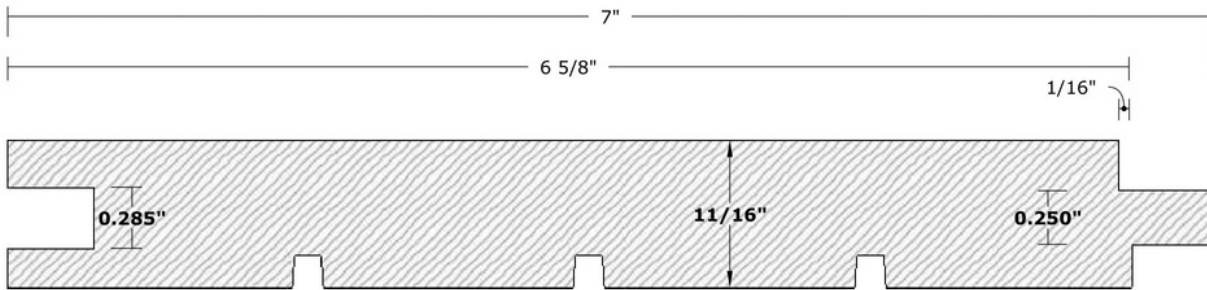
Milling Profiles

1x8 Tongue & Groove

A&BTR CVG Cedar 1X8 T&G Tight



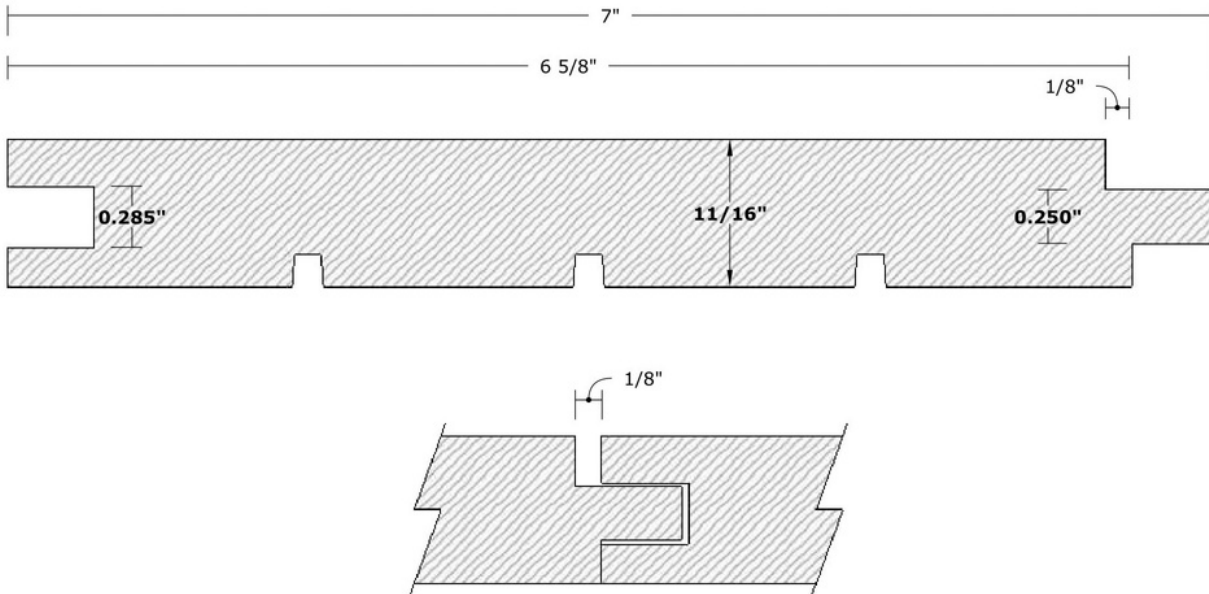
A&BTR CVG Cedar 1X8 T&G 1/16" Fineline



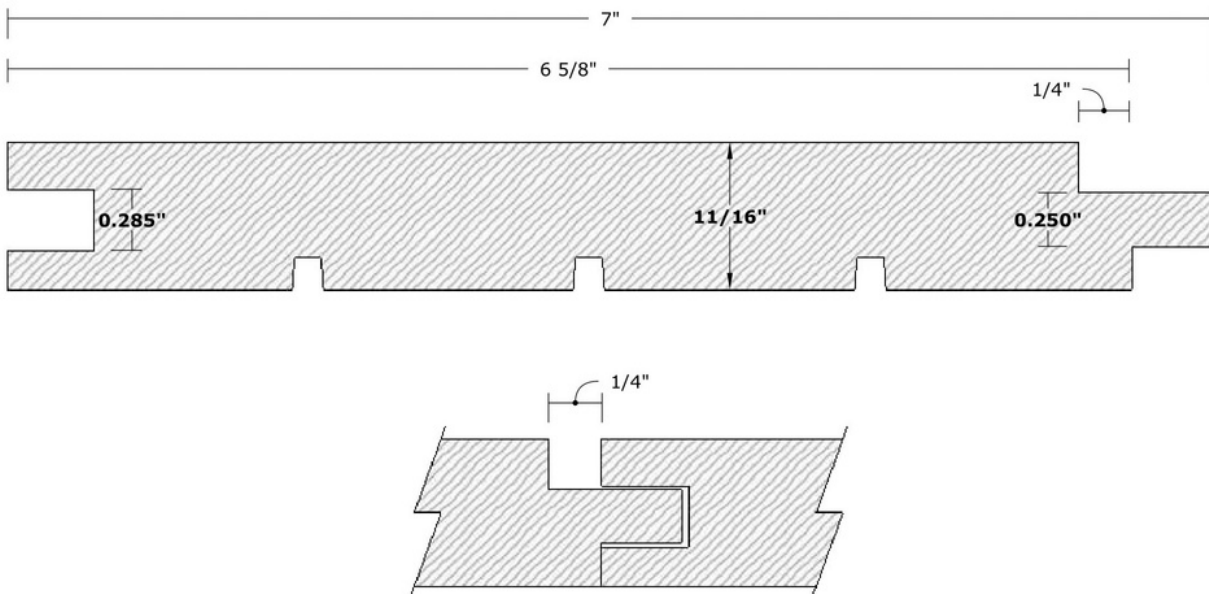
Milling Profiles

1x8 Tongue & Groove (Continued)

A&BTR CVG Cedar 1X8 T&G 1/8" Fineline



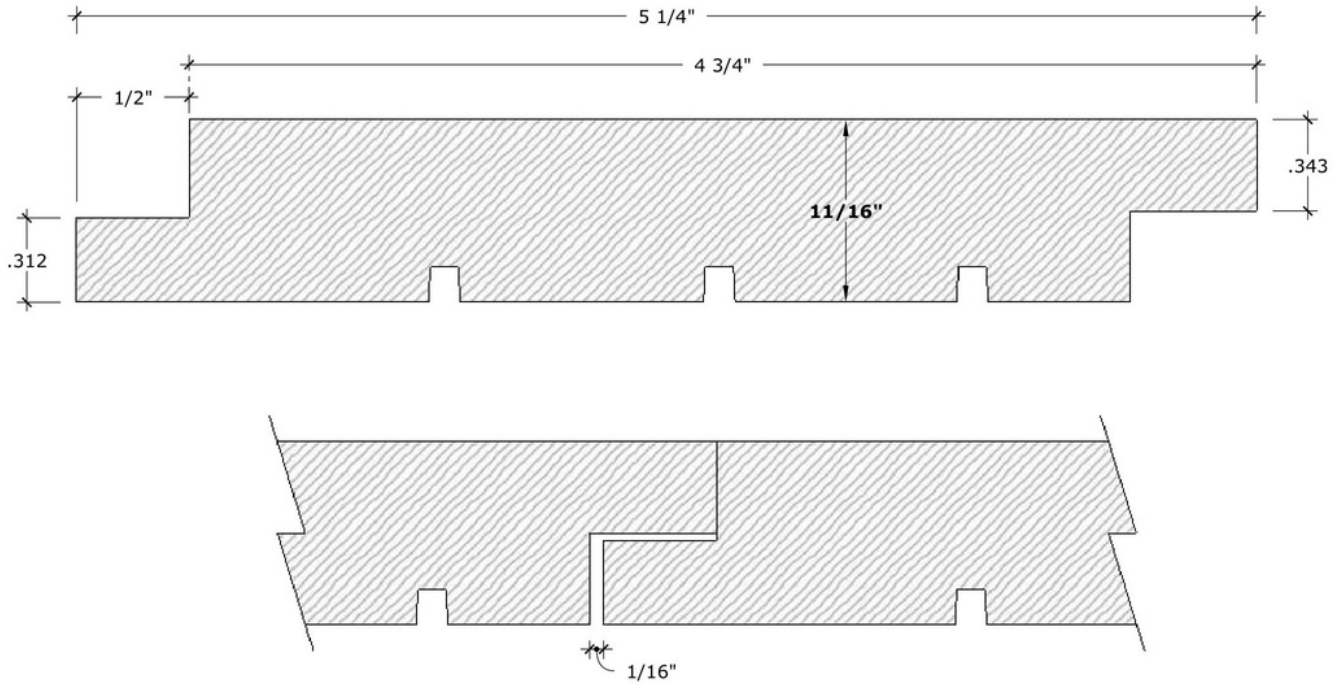
A&BTR CVG Cedar 1X8 T&G 1/4" Fineline



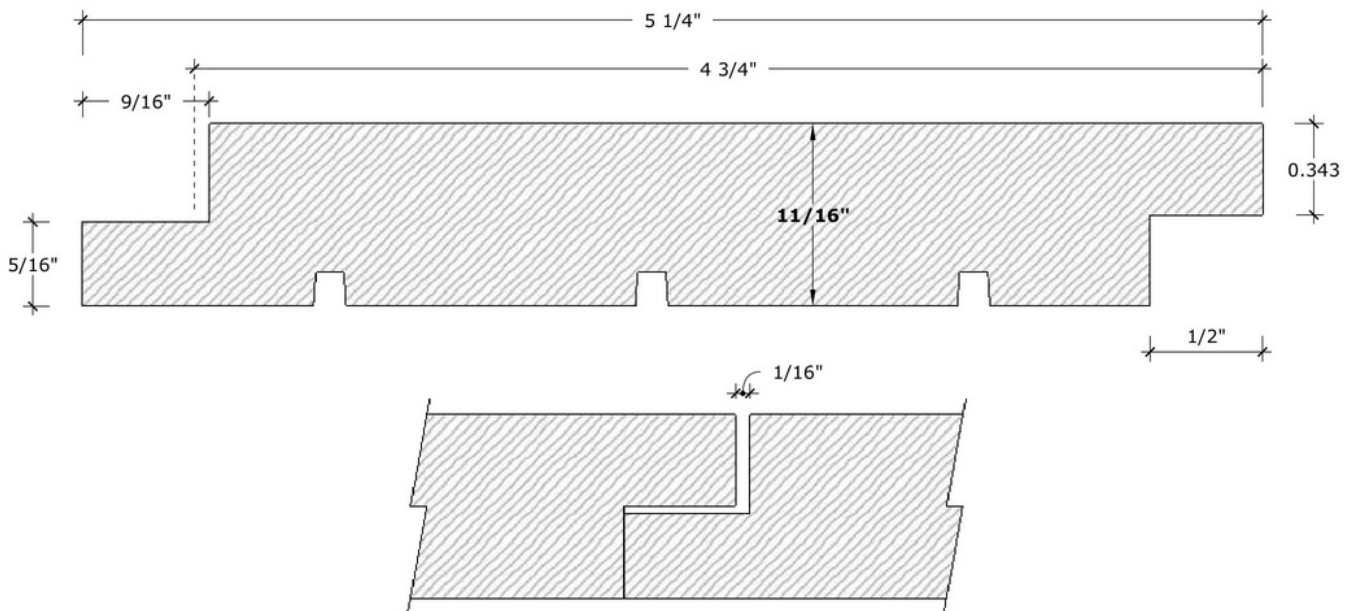
Milling Profiles

1x6 Shiplap

A&BTR CVG Cedar 1X6 Shiplap Tight



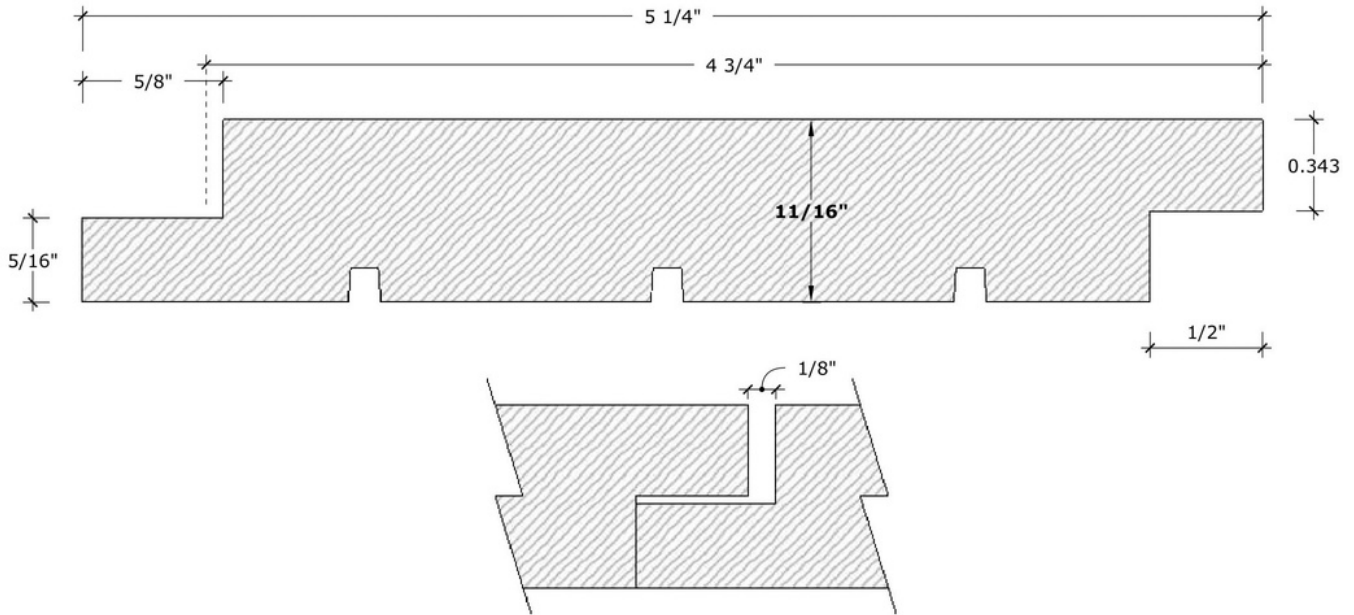
A&BTR CVG Cedar 1X6 Shiplap 1/16" Gap



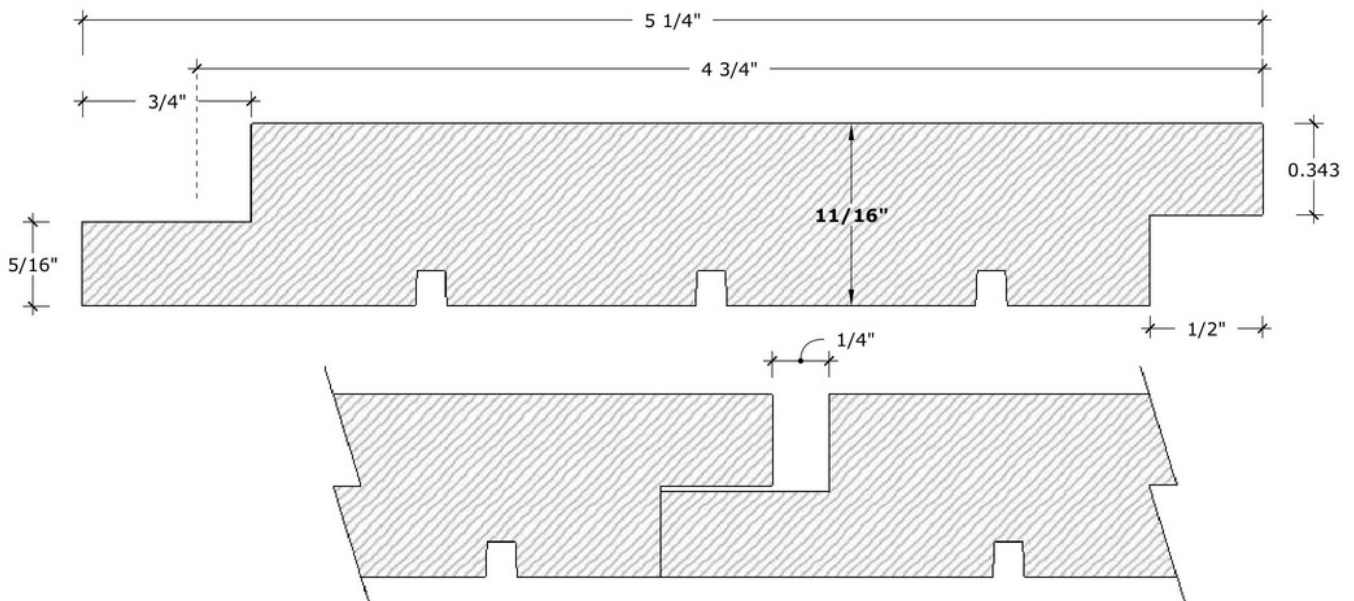
Milling Profiles

1x6 Shiplap (Continued)

A&BTR CVG Cedar 1X6 Shiplap 1/8" Gap



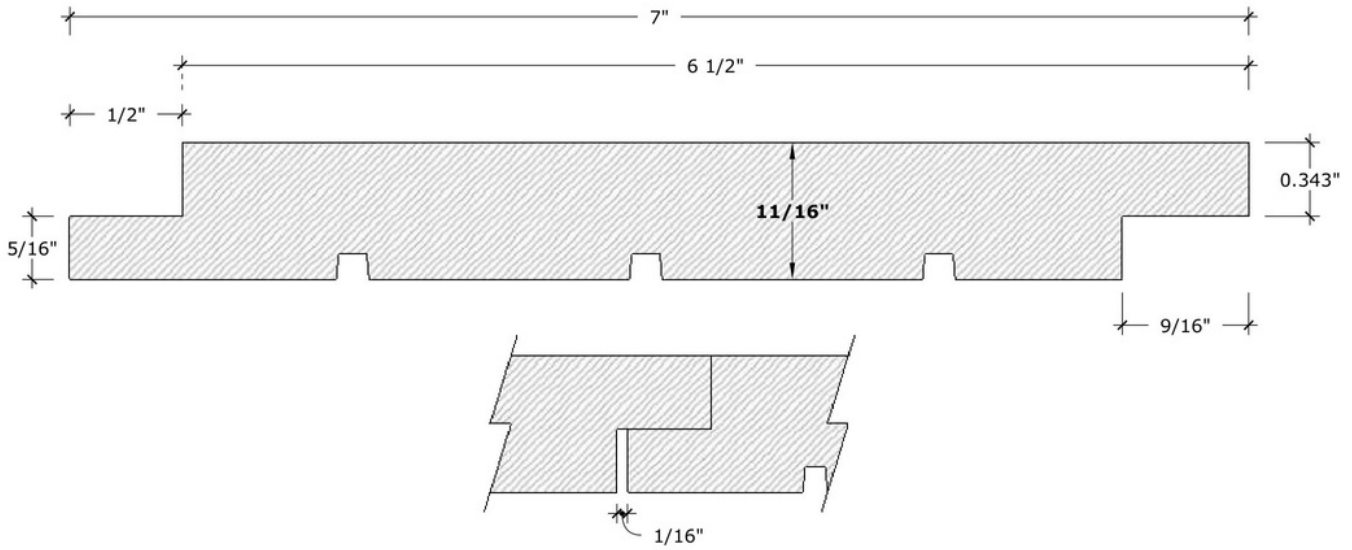
A&BTR CVG Cedar 1X6 Shiplap 1/4" Gap



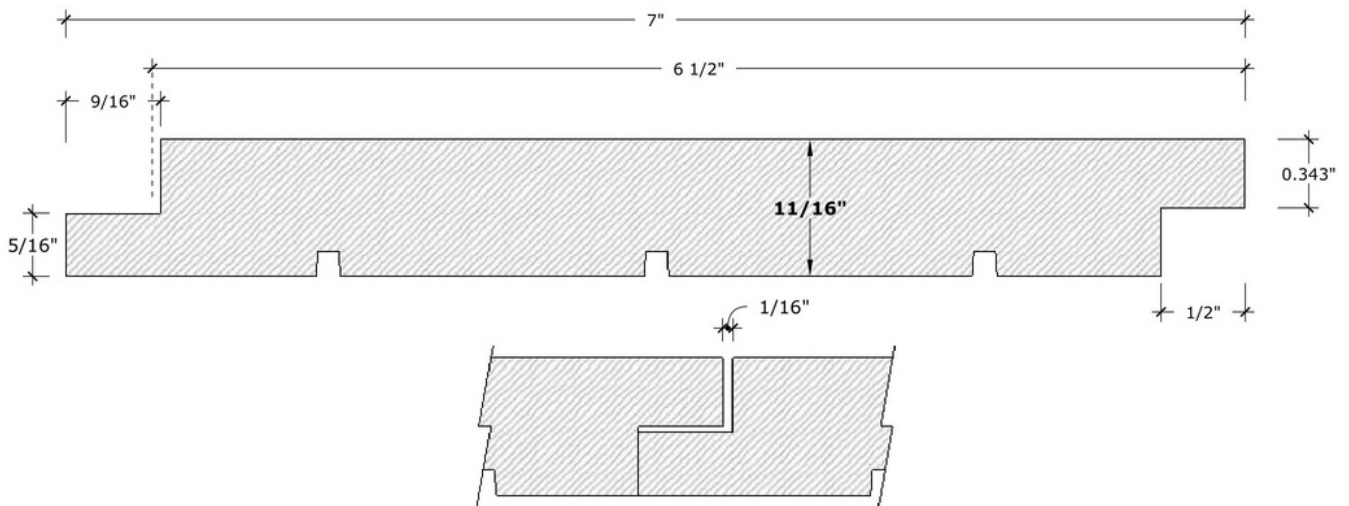
Milling Profiles

1x8 Shiplap

A&BTR CVG Cedar 1X8 Shiplap Tight



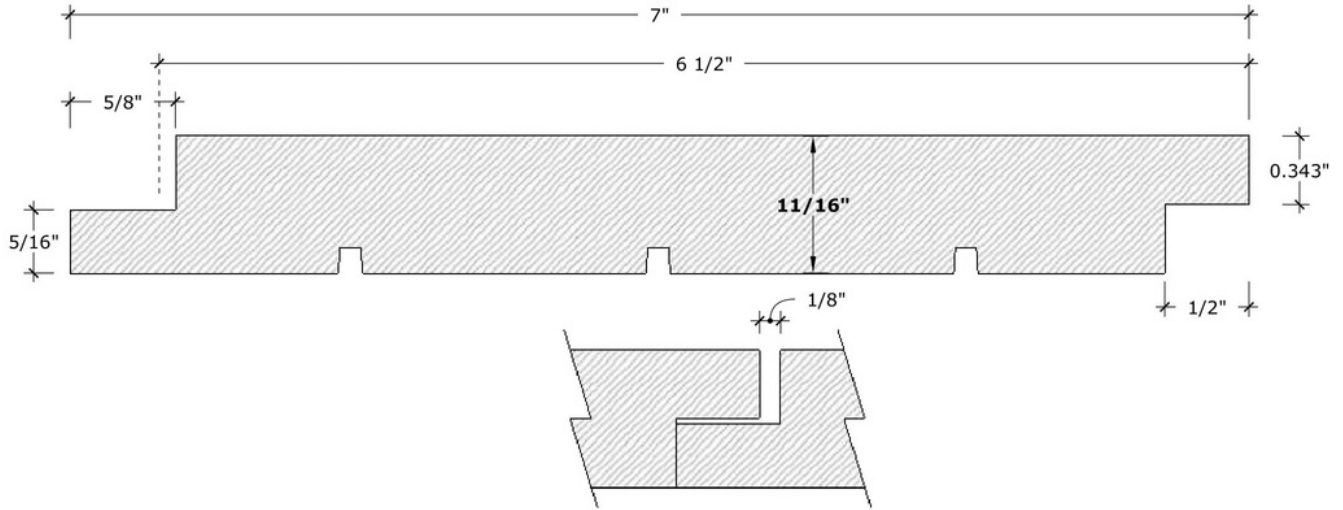
A&BTR CVG Cedar 1X8 Shiplap 1/16" Gap



Milling Profiles

1x8 Shiplap (Continued)

A&BTR CVG Cedar 1X8 Shiplap 1/8" Gap



A&BTR CVG Cedar 1X8 Shiplap 1/4" Gap

