

Interior Northwestern Spruce Paneling

Our Interior Northwestern Spruce Paneling is created using mill-direct Engelmann Spruce and a proprietary non-toxic wood treatment process, resulting in a timeless finish designed to mimic actual reclaimed barnwood.

Hewn's Interior Northwestern Spruce Paneling is sold as solid 11/16" boards with multiple milling and width options available, and custom thicknesses available upon request. In addition to our catalog colors, we can also match and formulate custom colors to meet the individual needs of our clients.



Technical Specifications

Species:	Engelmann Spruce	Grade:	#2 Grade
Moisture Content:	Kiln Dried - Average 10-12%	Janka Hardness:	480
Class Rating:	B (ASTM E 84)	Flame Spread Index:	40 (ASTM E 84)
V.O.C. Content:	15.59 g/L*	Smoke Developed Index:	140 (ASTM E 84)
Nominal Widths:	1×4	Thickness:	11/16"
	1×6	Finish:	Renner Hydro Oil Sealer
	1×8		
	(See profiles for net face size)		

Interior Northwestern Spruce Paneling

Colors

Hewn offers a variety of color options for our Interior Northwestern Spruce Paneling products. In addition to our base colors, Hewn's color technicians can color-match any of our products to an existing sample, or any material inspiration.



Barn Red



Chicken Coop



Corral



Driftwood



Farm Fleet



Hampton White



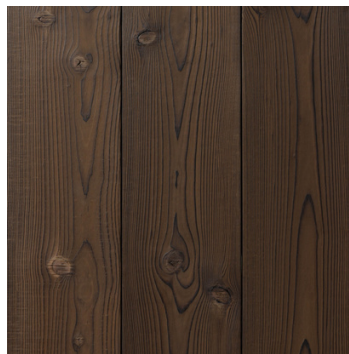
Linen White



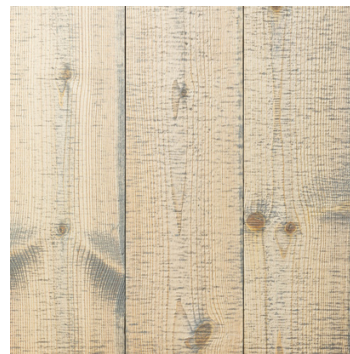
Mosswood



Natural



Noir



Rustic Natural



Rustic Reclaimed

Interior Northwestern Spruce Paneling

Colors

(continued)



Saddle



Trillium White



Weathered Grey



White Wash

Texture

Hewn's Interior Northwestern Spruce Paneling is available in multiple texture options. We can add further distressing upon request, and customize the texture to fit your specific needs. We also offer smoother and more modern textures upon request.



Standard

Our Standard texture features a brushed, raised-grain surface that highlights the natural texture and tactile variance of the wood.



Distressed

Our Distressed texture features a brushed, raised-grain surface, along with cracks and nail holes to complement the character of the wood.

Milling Profiles

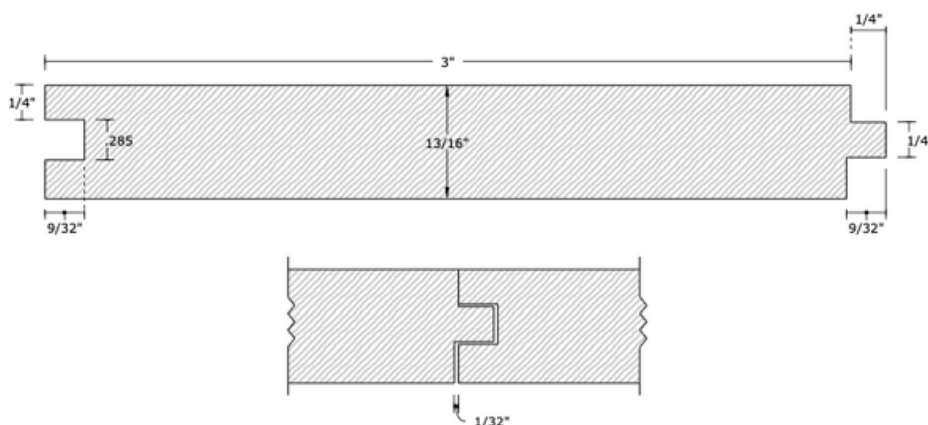
Hewn's Interior Northwestern Spruce Paneling is available in a variety of milling profiles, designed to fit the individual needs of your project. Our most common milling profiles, listed within this document, assume our standard thickness of 11/16". Our Interior Northwestern Spruce Paneling is milled to your requested specifications in-house, allowing for the highest level of oversight throughout the entire production process.

Interior Northwestern Spruce Paneling

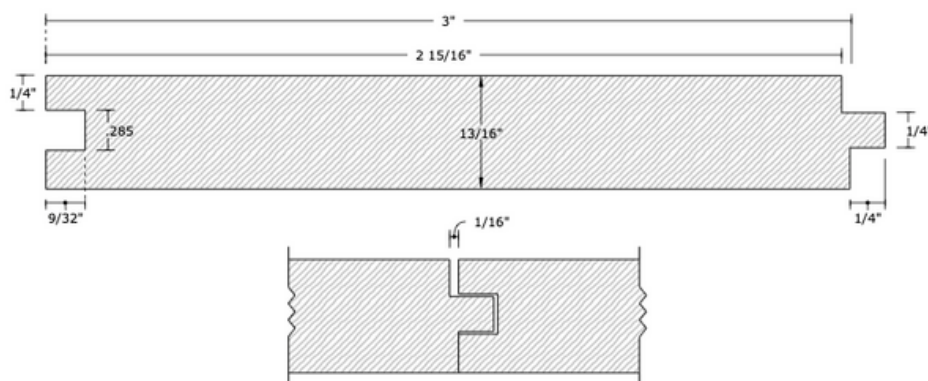
Milling Profiles

(continued)

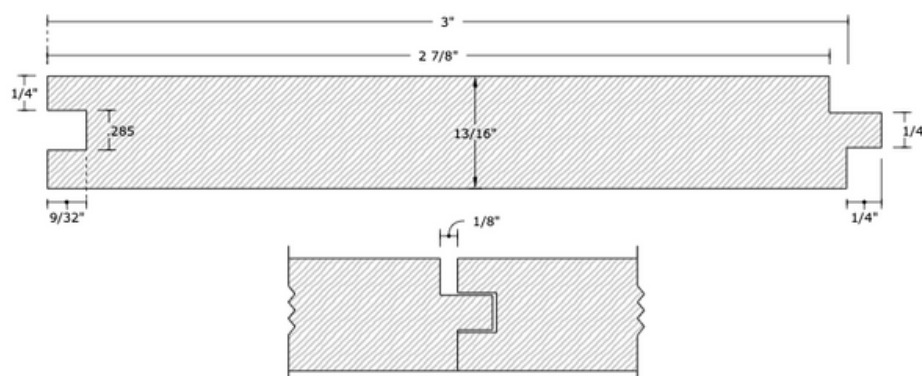
1x4 (13/16 x 3.0 Face) T&G Tight 1/4" Tongue



1x4 (13/16 x 3.0 Face) T&G 1/16" Finline 1/4" Tongue



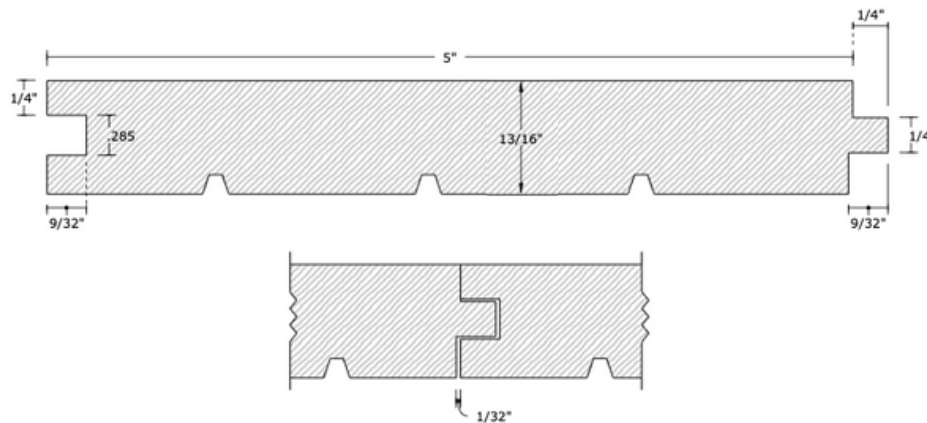
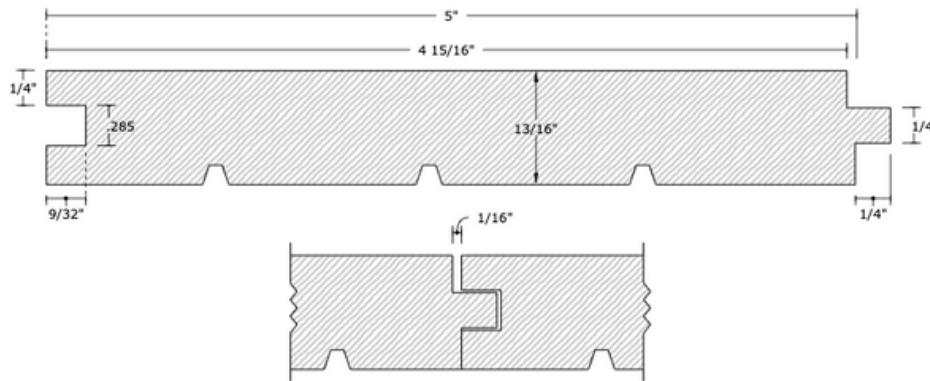
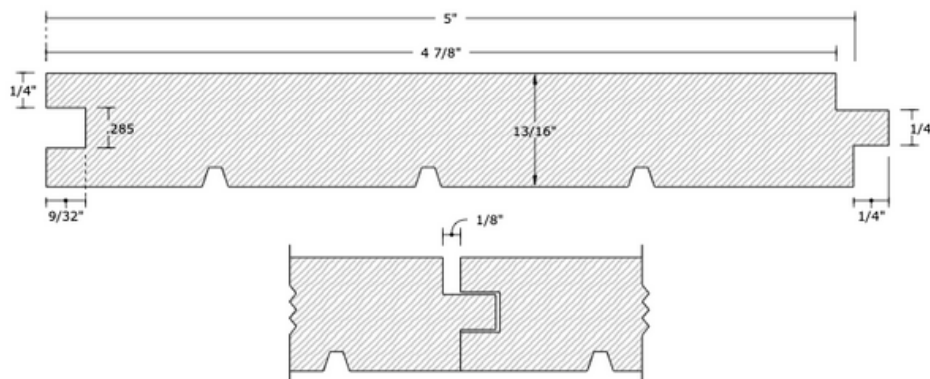
1x4 (13/16 x 3.0 Face) T&G 1/8" Finline 1/4" Tongue



Interior Northwestern Spruce Paneling

Milling Profiles

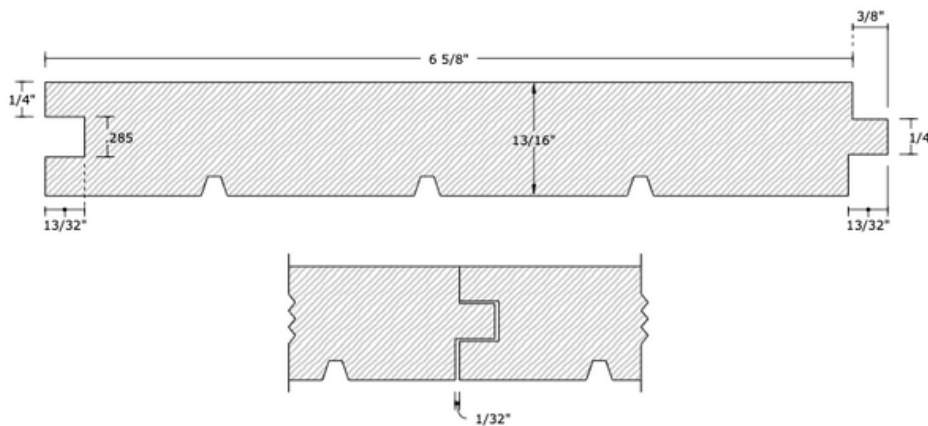
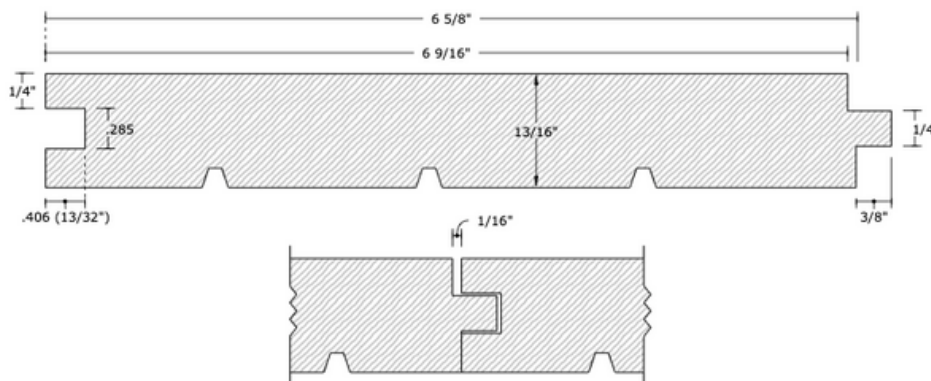
(continued)

1x6 (13/16 x 5.0 Face) T&G Tight 1/4" Tongue

1x6 (13/16 x 5.0 Face) T&G 1/16" Finline 1/4" Tongue

1x6 (13/16 x 5.0 Face) T&G 1/8" Finline 1/4" Tongue


Interior Northwestern Spruce Paneling

Milling Profiles

(continued)

1x8 (13/16 x 6 5/8" Face) T&G Tight 3/8" Tongue

1x8 (13/16 x 6 5/8 Face) T&G 1/16" Fineline 3/8" Tongue

1x8 (13/16 x 6 5/8 Face) T&G 1/8" Fineline 3/8" Tongue
