



Natural wood
Made to last

Installation Guide



Kebony Clear Shiplap

Please read these guidelines carefully, and if you have any questions, **e-mail: info@kebony.us** or **call: +1 855.230.5656**



www.kebony.us
[@kebonyusa](https://www.instagram.com/kebonyusa)

Preparing for Installation

SAFETY GUIDELINES

Installing Kebony Clear Shiplap siding is a construction project, therefore you should wear protective clothing and safety equipment such as, but not limited to, safety glasses, gloves, long sleeves, and a mask, particularly when cutting wood.

The installer is responsible for identifying and following all building codes and construction safety practices. Kebony accepts no liability or responsibility for the improper installation of this product.

Kebony Clear Shiplap siding may not be suitable for every application, and it is the sole responsibility of the installer to ensure that Kebony Clear Shiplap siding is fit for the intended use. Because all installations are unique, it is also the installer's responsibility to determine specific requirements for each siding application.

Kebony recommends that all applications be reviewed by a licensed architect, engineer or local building official before installation.

STORAGE

Kebony Clear siding should not be exposed directly to the elements prior to installation. Kebony should be kept covered with plastic tarp or other waterproof material prior to installation.

PREP

Perform all necessary preparatory work for your specific project, (e.g. building wrap, flashing, window frames, etc.)

Metal Fixture Considerations: While stainless steel fixtures are ideal, Kebony can be used with aluminum, enamelled, powder-coated or foiled fixtures without concern for discoloration. However, in some cases surface water runoff from Kebony can result in discoloration of adjacent materials. For example, it could cause black stains on zinc fixtures or polished copper.

Drainage and runoff from galvanized or iron-based fixtures onto Kebony can result in black discoloration of the wood.

RECOMMENDED TOOLS & EQUIPMENT



Electric Saw (Table, Chop etc.)

- With a fine carbide blade



Miter saw

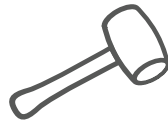


Drill (Cordless or Corded)

- With Carbide Drill Bit for Pre-Drilling



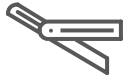
Ladders and/or scaffolding



Rubber Mallet



Level



T-bevel



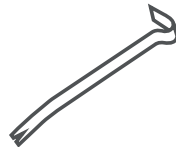
Hammer



Chalkline



Laser Level



Flat pry bar



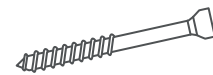
Utility Knife



Measuring Tape



Pencil



Trim Head Stainless Steel Screws
(Or Pro Plug® System for Kebony)

GENERAL INSTALLATION GUIDELINES

Kebony Clear Shiplap siding can be installed horizontally or vertically.

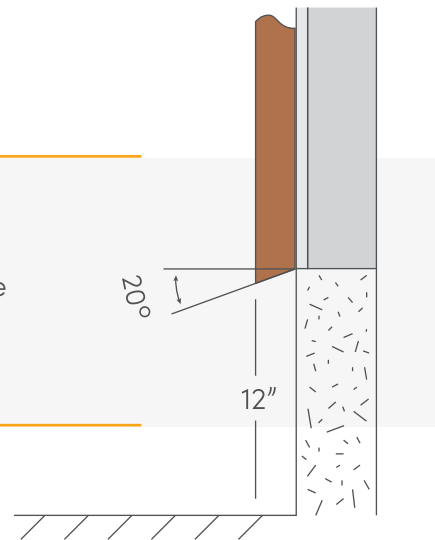
Ground Clearance: Allow for 12" clearance above grade.

Fastener type: Stainless steel screws – all holes should be pre-drilled. Screw head size, length, and grades are to be selected by the installer based on site specifics. If using the hidden fastener Pro Plug® System for Kebony Wood (see below), the appropriate screws are included with the System.

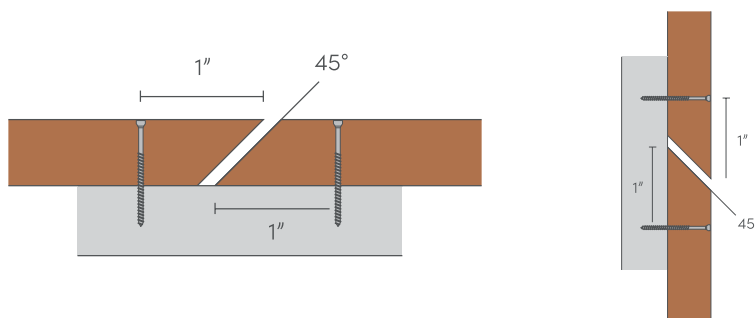
Face Fastening: Face fasteners can be hidden using the Pro Plug® System for Kebony Wood.

Spans: Secure the board at each end, and to a maximum 24" span between fasteners.

Drip-Edge: To ensure proper drainage, all bottom board edges should be cut on an angle with a drip edge of a minimum of 20 degrees.



Butt-jointing boards: When butt jointing siding, cut ends at 45 degree angles to form an overlapping joint (Scarf Joint). This is particularly important for vertical installation. Ensure joints meet on studs, blocking or furring strips. The cut should slope downward from the back towards the front.



Do not pre-drill or fasten Kebony within 1" (25.4mm) of the edge.

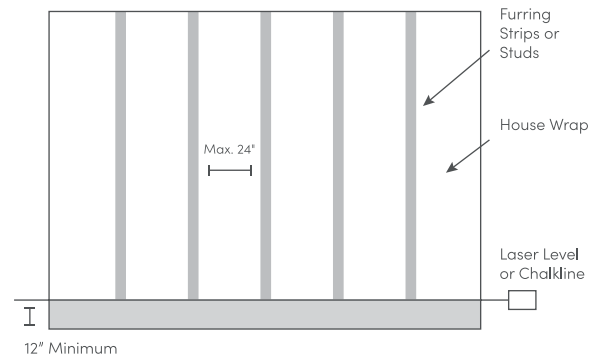
HORIZONTAL APPLICATIONS

Kebony Clear Shiplap can be installed one of two ways.

- A** Directly on top of a suitable house drainage wrap.
- B** Kebony Clear Shiplap can alternatively be installed in a rainscreen configuration, fastened to blocking, or furring strips or rainscreen drainage mat systems.

1

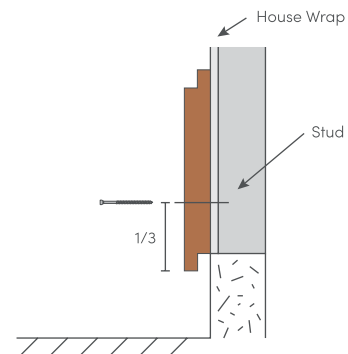
Begin at the bottom and work up. Set a level line across all walls using a conventional or laser level. Face the channeled edge upward.



All Shiplap boards require face-fastening.

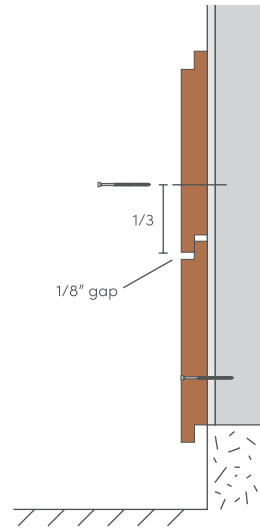
2

With the first bottom board, pre-drill and face fasten the first screw $\frac{1}{3}$ of the way up the board. When face-fastening Kebony, you may use the optional Starborn Pro Plug® System for Kebony to hide the screw heads.



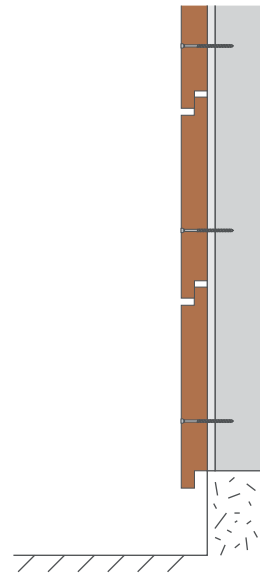
3

Measure and cut your next board to length. Overlap the board over the bottom board and ensure a $\frac{1}{8}$ " gap between the boards to allow for expansion of the wood. Pre-drill and face fasten the board $\frac{1}{3}$ of the way up the board. When face-fastening Kebony, you may use the optional Starborn Pro Plug® System for Kebony to hide the screw heads.



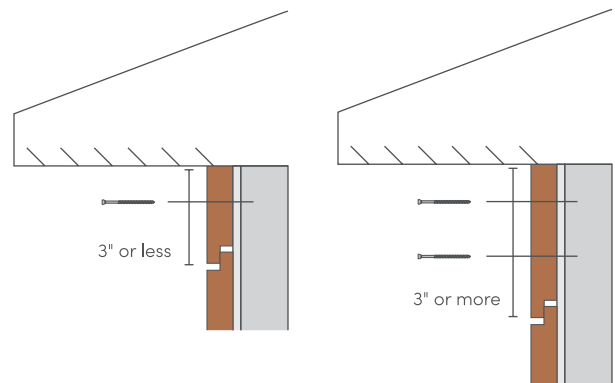
4

Repeat this pattern up the wall until you get to the roof line.



5

Top board(s) at the roofline may need to be custom cut. If the top is horizontal, the top board may need to be ripped to width and should also be face-fastened. Use one fastener if the board is less than 3" wide and two fasteners if the board is greater than 3" wide. If the roofline has a slope, multiple boards will likely have to be cut at angles on the end(s). Various tools are available to help determine the angle.



VERTICAL APPLICATIONS

Kebony Clear Shiplap can be installed one of two ways.

A

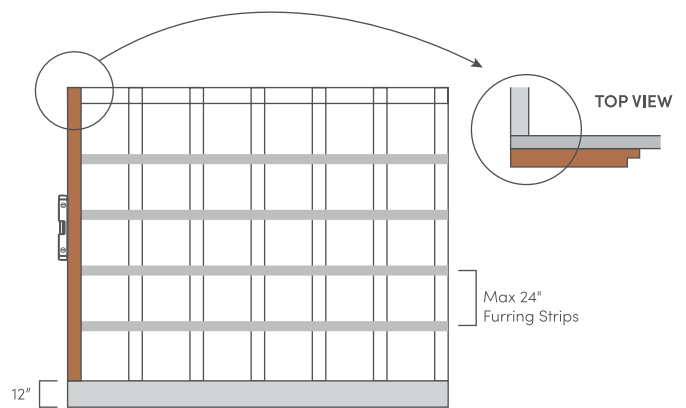
Directly on top of a suitable house drainage wrap.

B

Kebony can alternatively be installed in a rainscreen configuration, fastened to blocking, furring strips or rainscreen drainage mat systems.

1

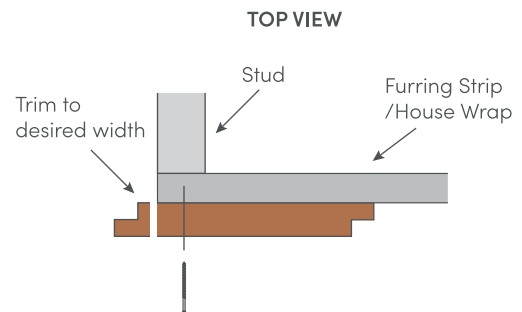
Start at one corner with the channeled edge toward the adjacent wall. Use a level to ensure the first board is installed plumb. The channeled edge may need to be trimmed to ensure a flush fit.



Corners details are the choice of the architect and project owner. There are many options including, but not limited to, mitered corners, corner boards, trim boards, flush, beveled, lap, etc.

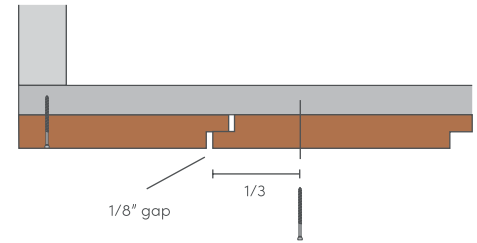
2

Pre-drill and face screw the half of the first board closest to the edge. When face fastening Kebony, you may use the optional Starborn Pro Plug® System for Wood to hide the screw heads.



3

Measure and cut your next board to length. Overlap the board over the first board and ensure a $\frac{1}{8}$ " gap between the boards to allow for expansion of the wood. Pre-drill and face fasten the board $\frac{1}{3}$ of the way up the board. When face-fastening Kebony, you may use the optional Starborn Pro Plug® System for Kebony to hide the screw heads.



4

Repeat this pattern across the wall.

