



Hewn's Thermally Modified Clear Vertical Grain (CVG) Hemlock is an exceptional choice for those seeking a blend of beauty, durability, and ecological responsibility in their building materials. Sourced from the abundant Western Hemlock (*Tsuga heterophylla*) of the Pacific Northwest, this wood undergoes a chemical-free thermal modification process. This enhances its dimensional stability, resistance to decay, and overall durability.

Our modified hemlock boasts a uniform and fine grain, making it ideal for paneling and siding. This sustainable and eco-friendly option ensures that your projects are not only aesthetically pleasing but also built to last.

Thermally Modified Hemlock - Weathered Grey

Thermally Modified Hemlock Collection

Hewn's Thermally Modified Hemlock Collection is designed to showcase and enhance the traditional properties of Western Hemlock, featuring colors and finishes that absolutely excel in classic and modern applications.



Enduring Elegance

Hemlock has been used as a building material for centuries, valued for its strength, workability, and aesthetic appeal. Its use in paneling and siding became prominent in the early 20th century, particularly in the Pacific Northwest, due to its abundance and the wood’s ability to withstand the region’s damp climate.

Specifications

Dimensions

Width: 1×6, 1×8
Thickness: 11/16”

Density

0.46 (g/cm³)

Janka Hardness

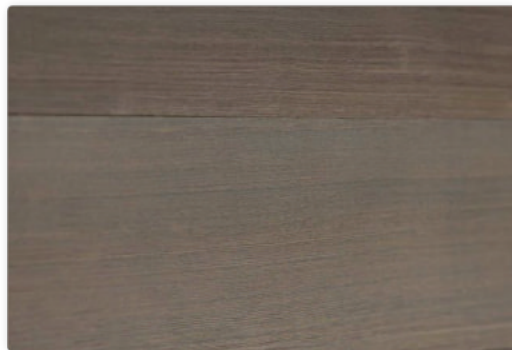
622 lbf (2,766 N)

Colors

Available in collection and custom color options



Thermally Modified Hemlock - Dark Roast



Thermally Modified Hemlock - Driftwood

Processing

Thermally Modified
Chemical-Free Process

Grade

Clear Vertical Grain

Textures

Brushed
Smooth Light Brushed *
Vertical Brushed †
Resawn *
Circle Sawn *

* Custom Option

† Available on Peppercorn,
Desert Sand and
Mushroom

Clear Vertical Grain

Clear Vertical Grain (CVG) grade Hemlock is prized for its straight, uniform grain and minimal knots, offering a refined and consistent appearance. This grade provides enhanced dimensional stability, making it less prone to warping and shrinking, which is ideal for high-quality paneling and siding applications. The superior workability of Hewn’s Thermally Modified CVG Hemlock ensures a smooth, clean finish, adding to its appeal in both residential and commercial projects.

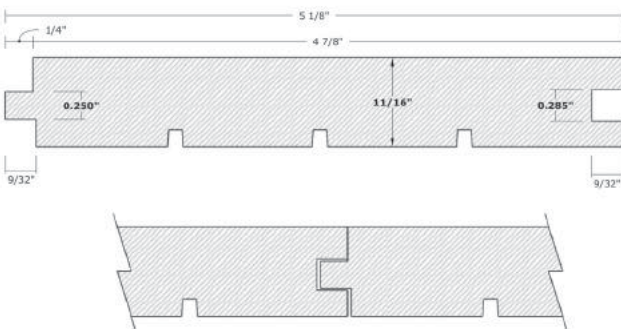
Standard Milling Profiles

Hewn's Thermally Modified Hemlock is sold in widths of 1×6 and 1×8. All of our Thermally Modified Hemlock is milled to your requested specifications in-house, allowing for the highest level of oversight throughout the entire production process. Our most common profiles are shown below.

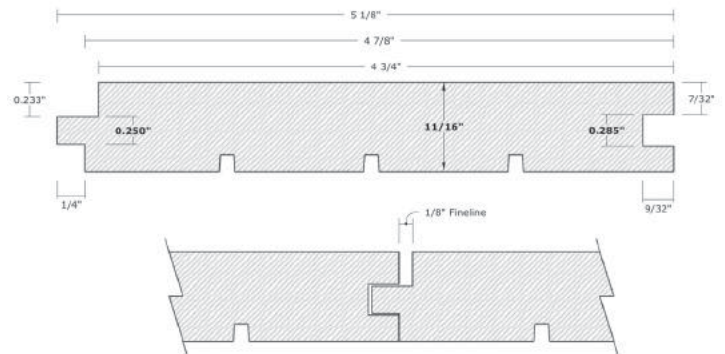
Hewn has the capability to create custom milling knives in-house. For more information on custom milling options, please contact one of our sales representatives.

T & G Milling Profiles

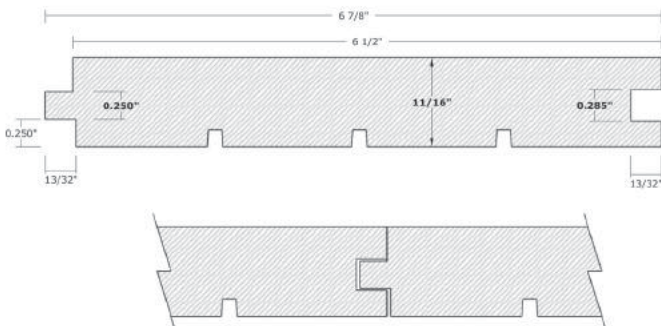
CVG TM Hemlock 1X6 T&G Tight 1/4" Tongue



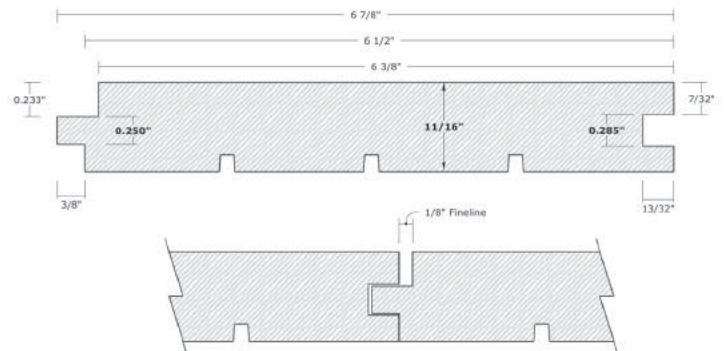
CVG TM Hemlock 1X6 T&G 1/8" Fineline



CVG TM Hemlock 1X8 T&G Tight 3/8" Tongue

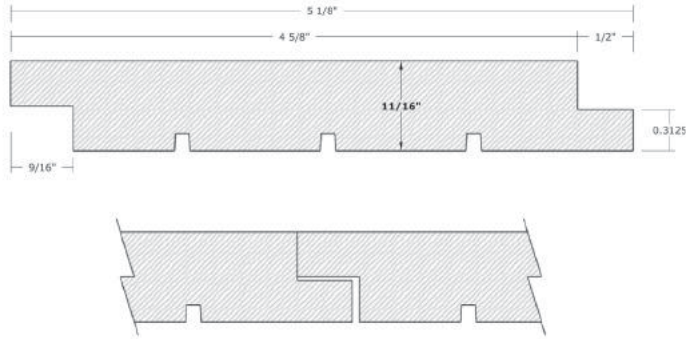


CVG TM Hemlock 1X8 T&G 1/8" Fineline

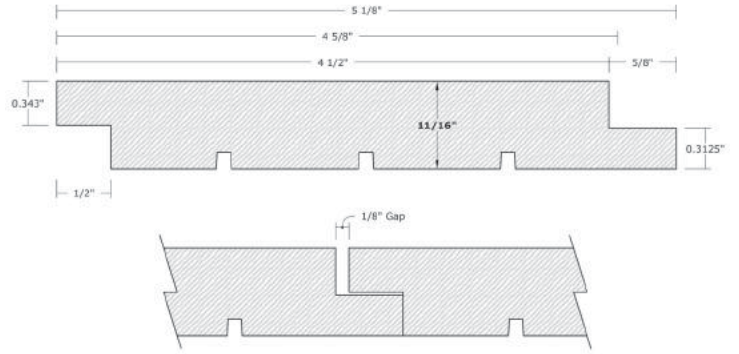


Shiplap Profiles

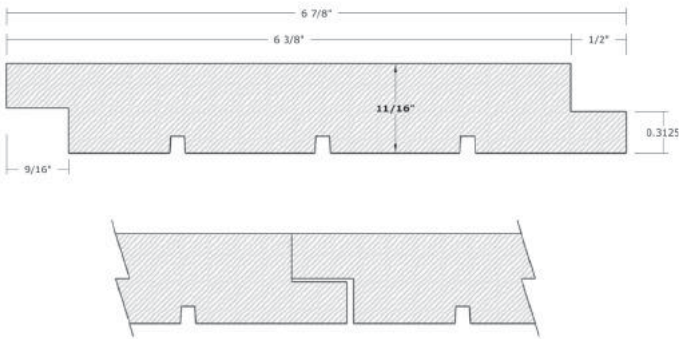
CVG TM Hemlock 1x6 Shiplap Tight



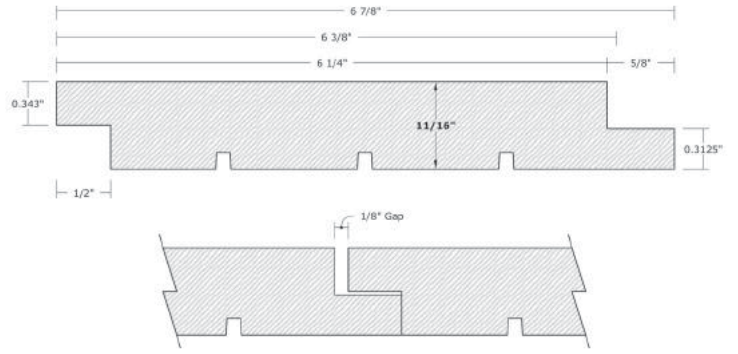
CVG TM Hemlock 1X6 Shiplap 1/8" Gap



CVG TM Hemlock 1X8 Shiplap Tight

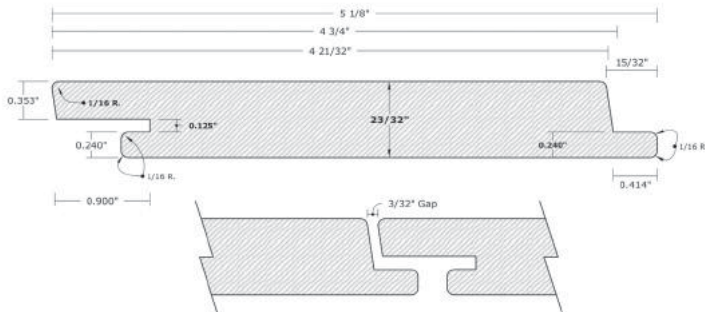


CVG TM Hemlock 1X8 Shiplap 1/8" Gap



Nova Rainscreen Siding System

CVG TM Hemlock 1X6 Nova Clip 3/32" Gap



CVG TM Hemlock 1X8 Nova Clip 3/32" Gap

