

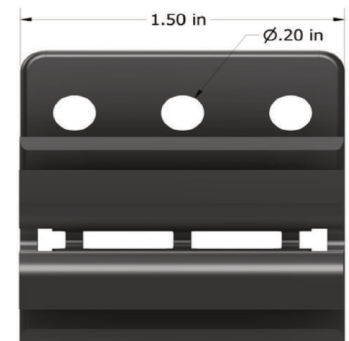
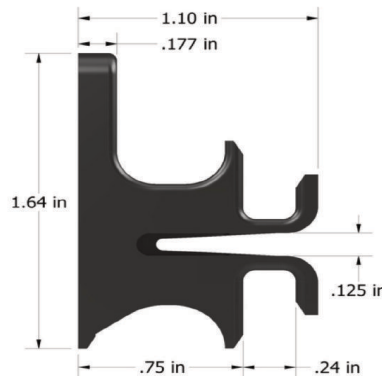


Nova's QuickClip Rainscreen Siding System is engineered to withstand the test of time. Hewn has chosen this glass-infused nylon rainscreen clip for its high quality and consistency.

Rainscreen applications are a beautiful way to clad an exterior wall, making it less likely to suffer moisture problems that lead to rot and warping. These clip also allow for hidden fastening installation, facilitating a modern and clean aesthetic.

Materials Needed

- Cor-A-Vent Siding Vent (3" or 4" wide)
- GRK R4 screw #9×2" or longer
- Cordless drill
- End seal
- Weather Resistive Barrier-House Wrap or Tyvek Equivalent Level
- Angle grinder
- Rubber mallet
- Chalk line
- Furring strips (just a few for finishing purposes)



Prior to Installation

- Calculate how much siding you will need based on the "Net Finished Dimensions" only.
- Hewn Rainscreen Siding must acclimate to your local climate.
- Use End Seal to cover the end of the grain of any freshly cut siding boards.

Step-by-Step Installation Guide | No Horizontal Trim Board Method

IMPORTANT: Ensure that your sheathing is rated for structural use and installed according to the manufacturer's guidelines and local building codes. Structural sheathing is the only safe way to install vertical rainscreen without adding additional framing or use of furring strips.

Step 1

Install house wrap over Plywood sheathing to prevent moisture intrusion. (Always follow the vapor barrier manufacturer's instructions.)

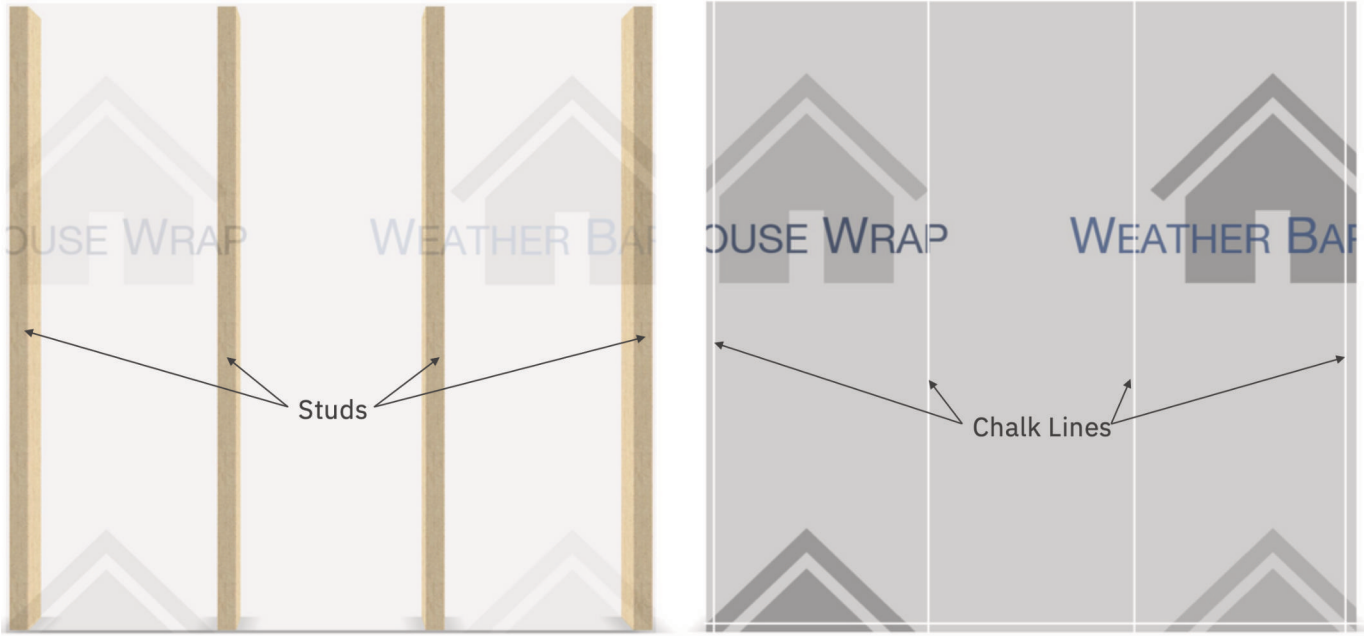
Step 2

Using a chalk line, mark a level horizontal line at the point where the base of the Rainscreen siding will align. This is your baseline. It is recommended your first board sits a minimum of 6" above the ground.



Step 3

Using a chalk line, mark where your studs are located for ease of installation.



Step 4

Obtain enough length of 1 × 2" furring strips to cover the entire length of the wall. Cut small vertical channels (weep holes) into the furring strip approximately 12 inches apart. These are required to allow for drainage through the furring strip. These channels will face the wall.

Step 5

Fasten the furring strip across the length of the wall. Ensure the furring strip is installed into the framing. This furring strip will act as your baseline so use a level to ensure it is perfectly horizontal.



Step 6

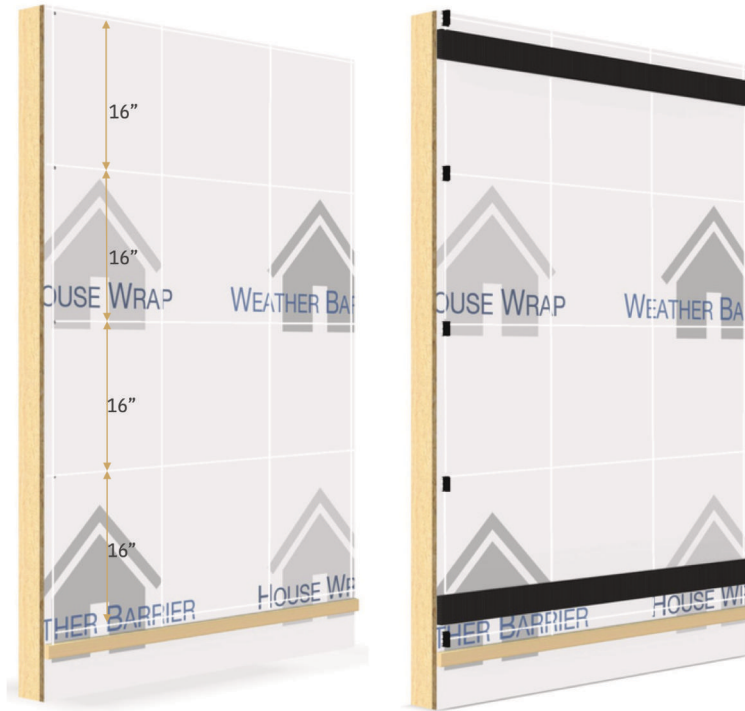
Create horizontal chalk lines marking every 16 inches. These are the lines where your clips will be placed.

Step 7

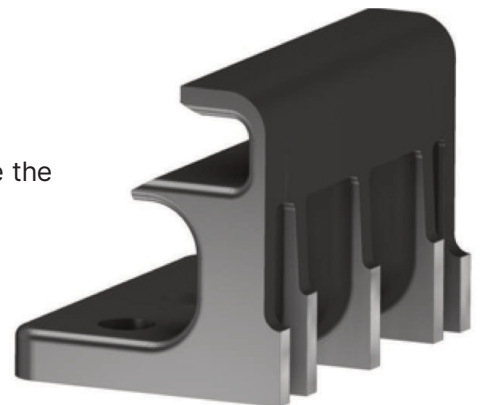
Fasten your first column of clips. Depending on 16" the wall you are building on, you may wish to cut the clip (see below), to eliminate the side of the clip that would be on the outside.

Step 8

Install Cor-A-Vent appropriately at the top and bottom of your wall across the entire width.



Optional: You may wish to cut the clip (an angle grinder will work) to eliminate the bottom part which will not be supporting anything.



Step 9

Insert your first vertical board into the column of clips, gently tapping with rubber mallet if necessary.

TIP: Use a level to ensure this first board is aligned properly)



Step 10

Gently tap the bottom of the rainscreen board until it is flush with the furring strip. Fasten the board through the face with 2 screws. You will need to pre-drill the rainscreen board in order to face screw and avoid any splitting. We recommend using a screw and plug system for a seamless look.

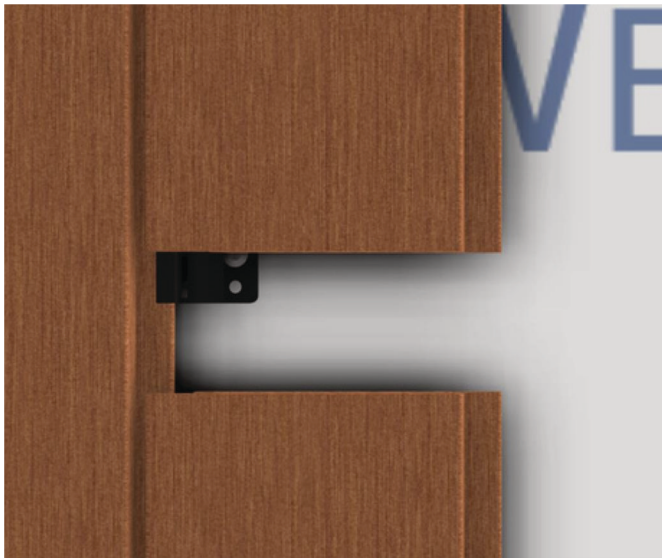


Step 11

Continue to install clips and Rainscreen boards repeating Steps 9 & 10 until you have covered the span of your installation area. Clips will usually require only one screw each at this point of installation.

Step 12

When using multiple boards to span the height of the wall, ensure that the rainscreen boards butt together properly. The boards should meet with a single clip centered between the two boards.



Step 13

To install your final board, first measure the remaining span that needs covered. Trim (rip) your rainscreen board to the appropriate width. Make sure you are trimming the correct side of the board off and leaving the correct side intact to fit into the clips.

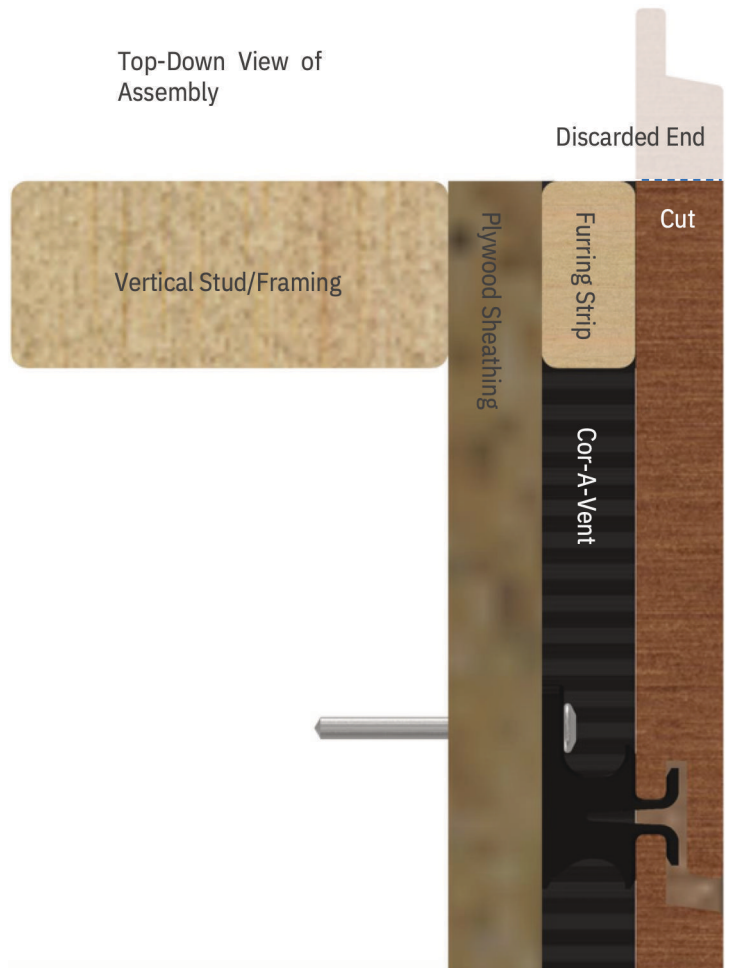
Step 14

Fasten a 1 × 2 furring strip up the height the length of the wall through the particle board and into the framing.

Step 15

Insert the adjusted board into the last column of clips. Fasten the rainscreen board to the furring strips.

Top-Down View of Assembly



Allowable Movement

When installing Hewn Rainscreen Siding, install each board as tightly as possible to leave the smallest gaps between them in case shrinkage occurs. Do not attempt to bend the Nova QuickClips – they will move on their own to accommodate the movement of the wood. The clip accommodates up to 1/8" of expansion or swelling. Shrinkage and swelling vary depending on climate and exposure to moisture. The Nova QuickClip Rainscreen Siding System is the only resilient clip on the market and will allow for the natural movement of the wood.

End Sealing

Fresh cuts should be sealed within 24hrs with end grain sealant. End grain sealant is shipped with your siding. The end grain sealant is simply applied with a paintbrush.